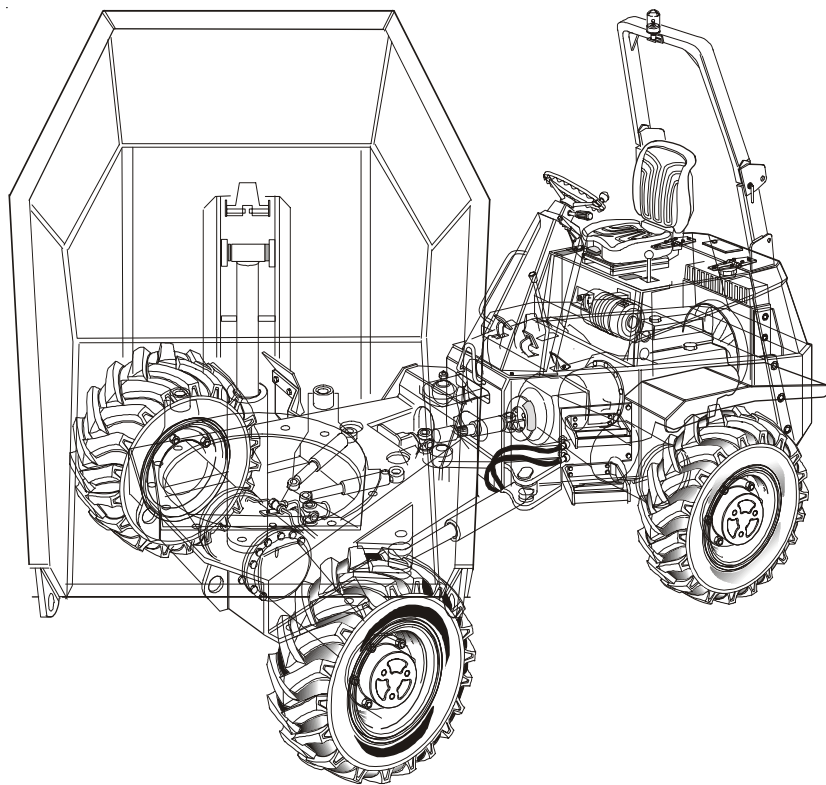


**Thwaites****374 - 3.5 TONNE POWERSWIVEL****allparts****Thwaites**  
**allparts**

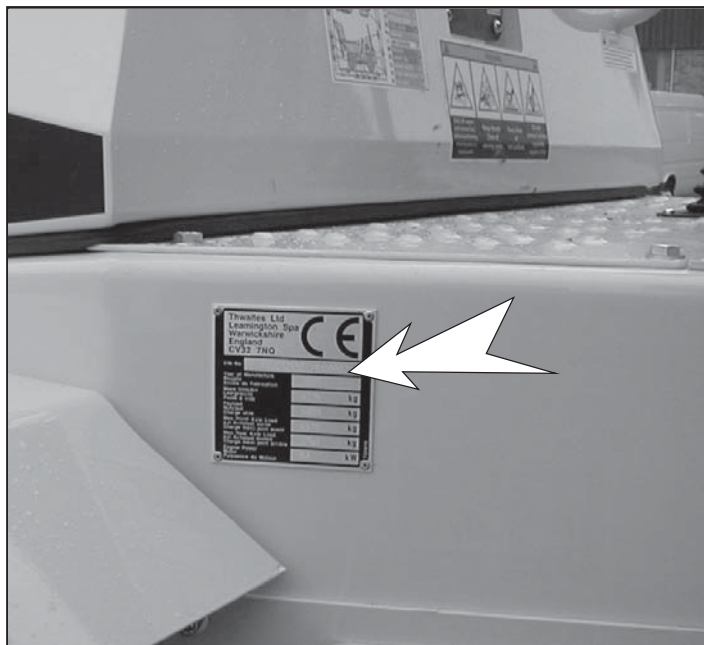
Thwaites Ltd  
Leamington Spa  
Warwickshire  
CV32 7NQ  
Tel +44 (0)1926 422471  
Fax +44 (0)1926 450458  
[www.thwaitesdumpers.co.uk](http://www.thwaitesdumpers.co.uk)

**FROM VIN No.** A4007**DATED** 18th FEBRUARY 2004**VIN No.** A \_ \_ \_ \_**ENGINE BUILD No.** 4TNV88-XWA**PAYLOAD** 3.5 TONNE**SKIP** POWERSWIVEL**TRANSMISSION** HYDROSTATIC**TYPE** MACH 374**PREFIX No.** 04



**VEHICLE IDENTIFICATION NUMBER - (VIN)**

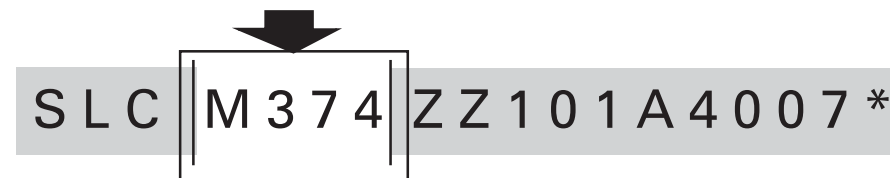
Thwaites have now adopted the international identification system known as VEHICLE IDENTIFICATION NUMBER normally referred to as VIN.



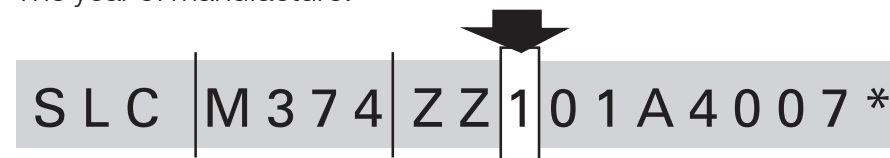
The VIN number incorporates a number of security features and also the machine model and individual serial number.

**Important note:** *Do not use this parts manual to order replacement spares if the prefix level of your machine is higher than the number quoted at the front of this parts manual.*

When ordering replacement spares it is important that the model or MACH number is used to identify the correct parts manual.



The year of manufacture:



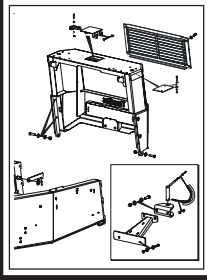
The Machine Parts Manual issue level denoted by the two digit Prefix Number:



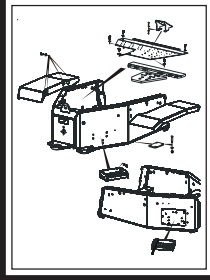
The unique machine serial number:



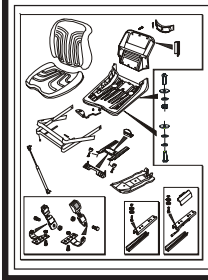
Please ensure that these numbers are quoted in all correspondence with your Thwaites distributor.

**REAR COVER  
ASSEMBLY**

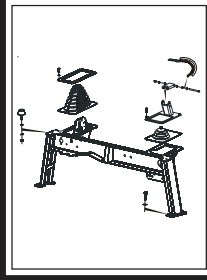
PAGE 1 &amp; 2

**REAR CHASSIS  
ASSEMBLY**

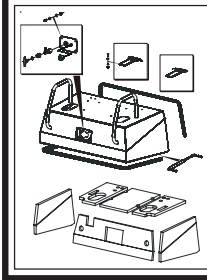
PAGE 3

**SEAT  
ASSEMBLY**

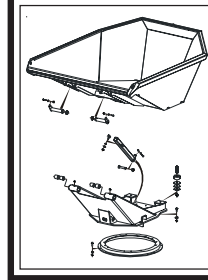
PAGE 4

**CONTROL MTG  
BRACE ASSY**

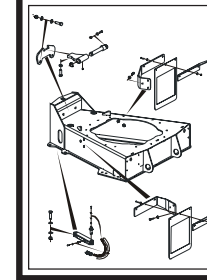
PAGE 5

**ENGINE COVER  
ASSEMBLY**

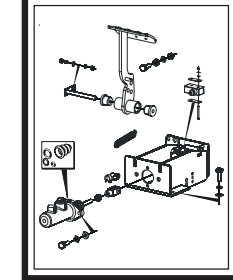
PAGE 6

**SKIP & SUB  
CHASSIS**

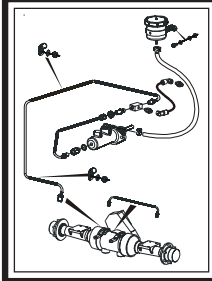
PAGE 7

**FRONT CHASSIS  
ASSEMBLY**

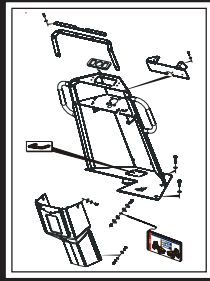
PAGE 8

**BRAKE PEDAL  
ASSEMBLY**

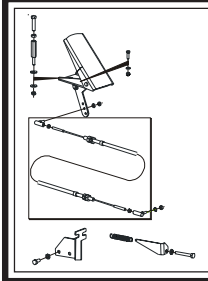
PAGE 9

**BRAKE CIRCUIT  
HYDROSTATIC**

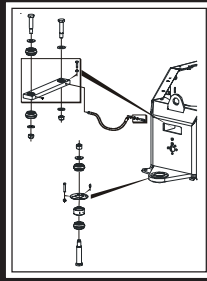
PAGE 10

**LEG GUARD  
ASSEMBLY**

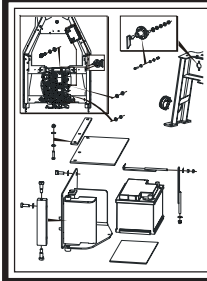
PAGE 11

**THROTTLE  
ASSEMBLY**

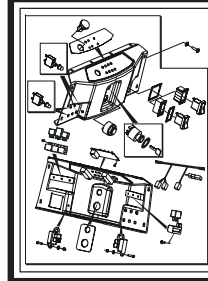
PAGE 12

**KINGLINK  
ASSEMBLY**

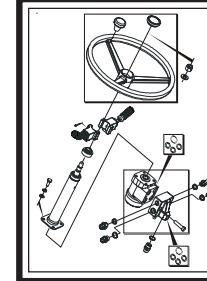
PAGE 13

**BATTERY BOX  
ASSEMBLY**

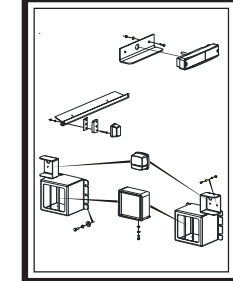
PAGE 14

**DASH PANEL  
ASSEMBLY**

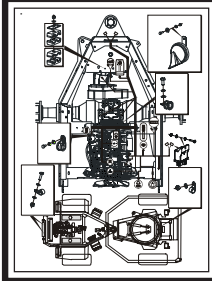
PAGE 15

**STEERING  
ASSEMBLY**

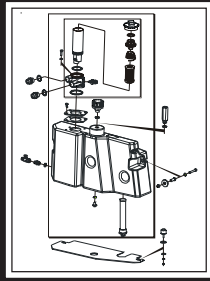
PAGE 16

**FRONT & REAR  
LIGHT ASSY.**

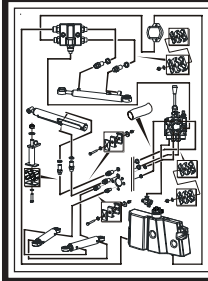
PAGE 17

**ENGINE & LIGHT  
HARNES**

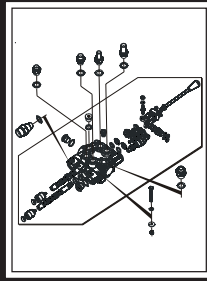
PAGE 18

**HYD. TANK  
ASSEMBLY**

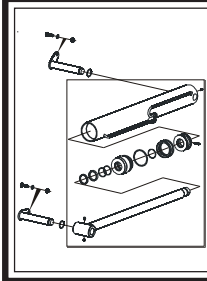
PAGE 19 &amp; 20

**HYD. CIRCUIT  
CONTROLS**

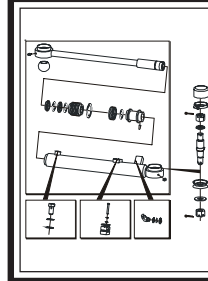
PAGE 21 &amp; 22

**TIPPING VALVE  
ASSEMBLY**

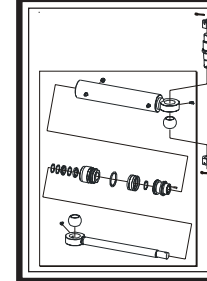
PAGE 23 &amp; 24

**TIPPING RAM  
ASSEMBLY**

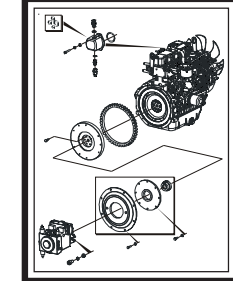
PAGE 25

**STEERING RAM  
ASSEMBLY**

PAGE 26

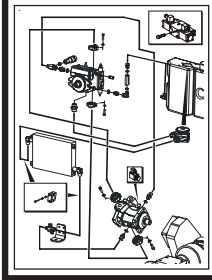
**SLEW RAM  
ASSEMBLY**

PAGE 27

**TRANS. DRIVE &  
HYD. PUMP**

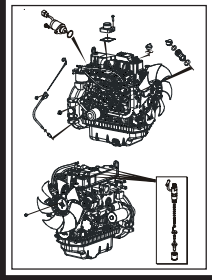
PAGE 28

**HYDROSTATIC  
PUMP & MOTOR**



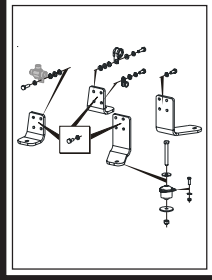
PAGE 29 & 30

**ENGINE  
ACCESSORIES**



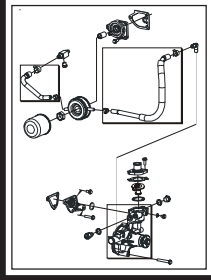
PAGE 31

**ENGINE  
MOUNTINGS**



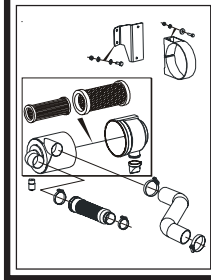
PAGE 32

**ENGINE  
OIL COOLER**



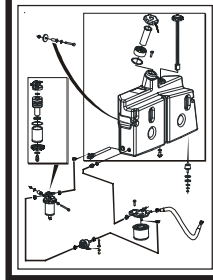
PAGE 33

**AIR CLEANER  
ASSEMBLY**



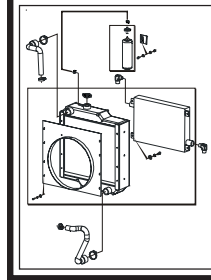
PAGE 34

**FUEL TANK  
ASSEMBLY**



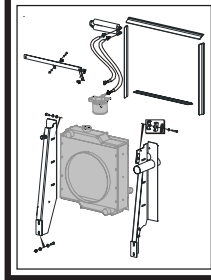
PAGE 35 & 36

**RADIATOR &  
OIL COOLER**



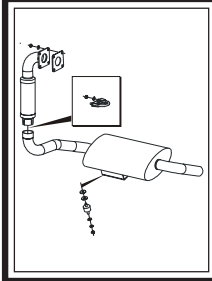
PAGE 37

**RAD. FIXINGS &  
FUEL COOLER**



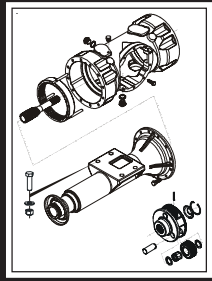
PAGE 38

**EXHAUST  
SYSTEM**



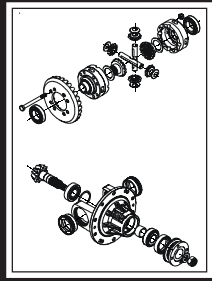
PAGE 39

**FRONT AXLE -  
MAIN CASE**



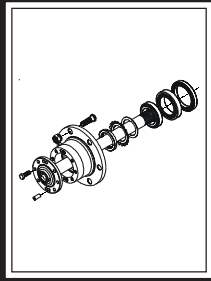
PAGE 40

**FRONT AXLE -  
DIFF ASSEMBLY**



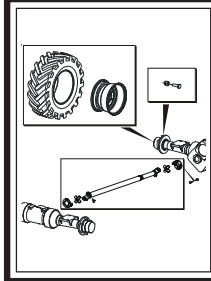
PAGE 41

**FRONT AXLE -  
HUB & ARM**



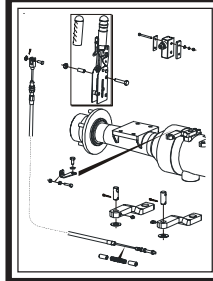
PAGE 42

**PROPSHAFT &  
WHEEL ASSY.**



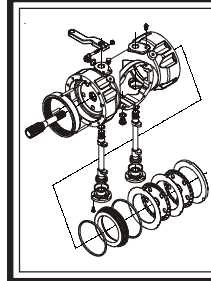
PAGE 43

**HANDBRAKE  
ASSEMBLY**



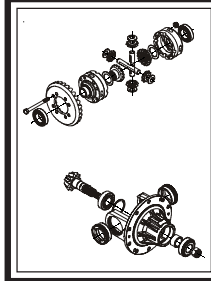
PAGE 44

**REAR AXLE -  
MAIN CASE**



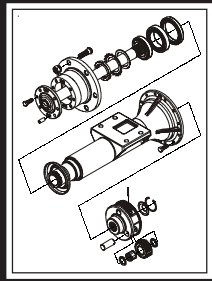
PAGE 45

**REAR AXLE -  
DIFF. ASSEMBLY**



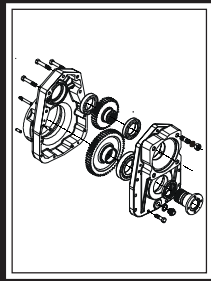
PAGE 46

**REAR AXLE -  
HUB & ARM**



PAGE 47

**REAR AXLE -  
TRANSFER BOX**



PAGE 48

**OPTIONAL  
EXTRAS**



PAGE 49

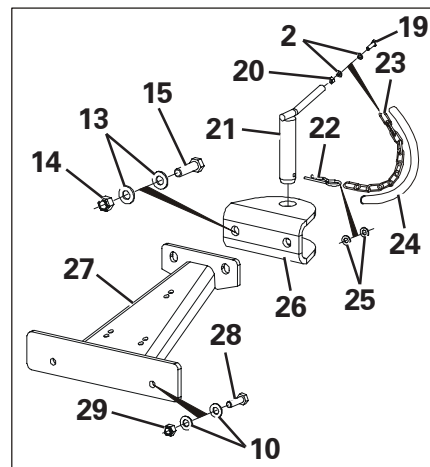
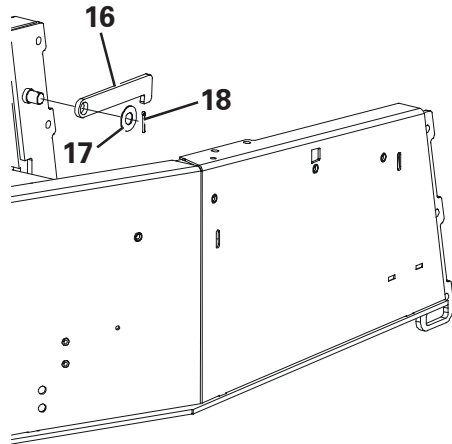
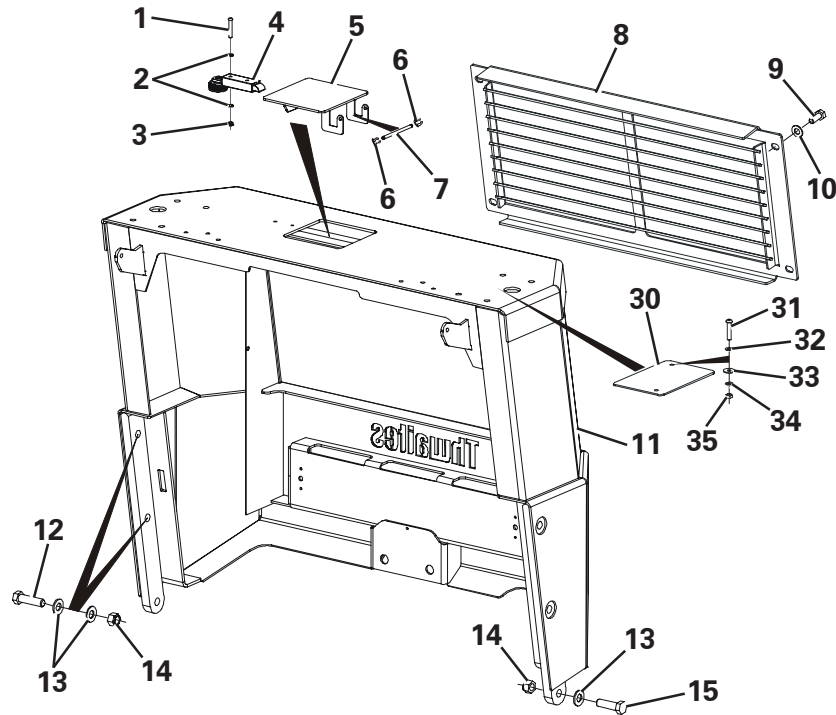
**MODIFICATIONS  
& ADDITIONS**



PAGE 50

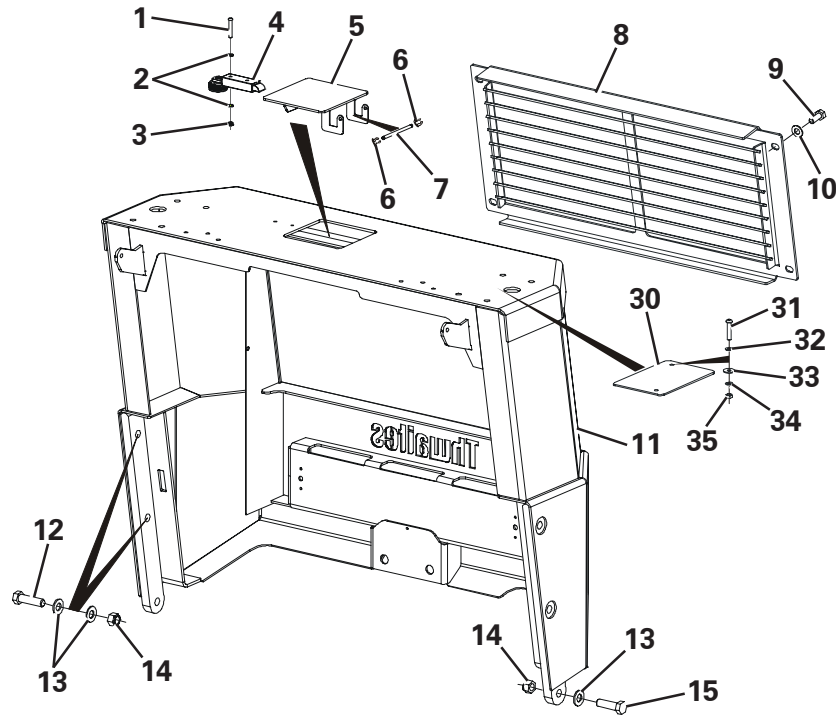
## REAR COVER ASSEMBLY

Item	Part No.	Description	Qty	U/M
1	T18162	SOCKET DOME HEAD SCREW	2.0	EA
2	T13911	WASHER	6.0	EA
3	T16481	NYLOC NUT	2.0	EA
4	T100631	SLAMBOLT	1.0	EA
5	T100306	RADIATOR COVER	1.0	EA
6	T100329	RETAINING CLIP	2.0	EA
7	T100327	HINGE PIN	1.0	EA
8	T101951	REAR GRILL	1.0	EA
9	T14077	SET SCREW	4.0	EA
10	T14748	HEAVY DUTY WASHER	8.0	EA
11	T101790	REAR COVER	1.0	EA
12	T15571	BOLT	4.0	EA
13	T100867	WASHER	14.0	EA
14	T14910	NUT	8.0	EA
15	T11315	BOLT	4.0	EA
16	T100466	STRAP RETAINER	1.0	EA
17	T6768	WASHER	1.0	EA
18	T6751	SPLIT PIN	1.0	EA



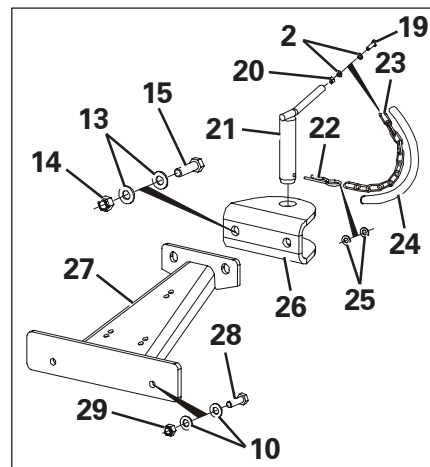
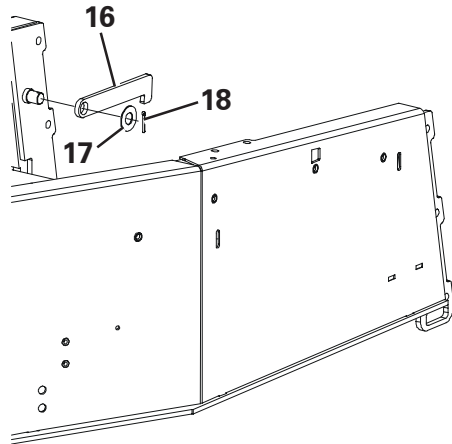
Rear Cover Assembly - Hydrostatic - Tier 2

## REAR COVER ASSEMBLY

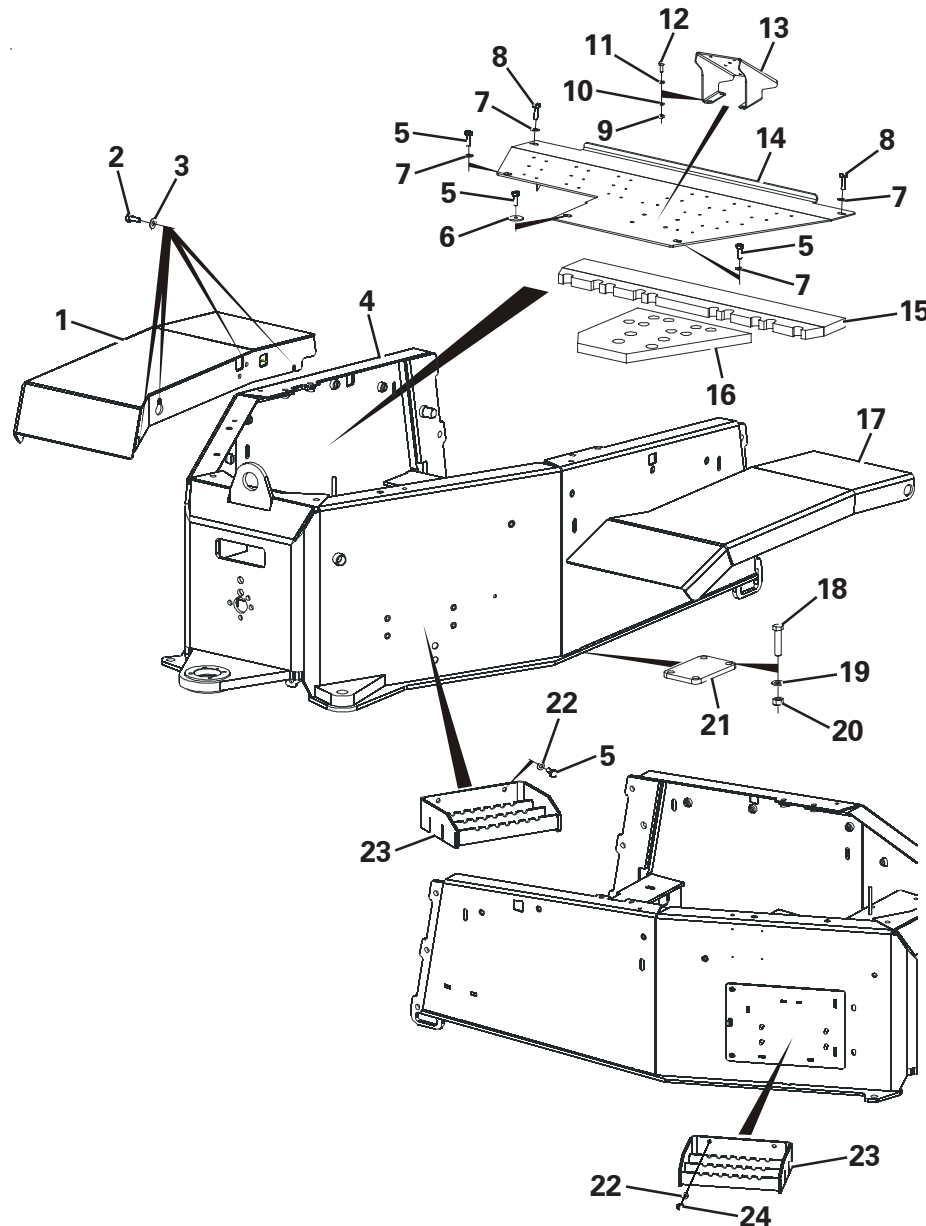


Item	Part No.	Description	Qty	U/M
19	T16477	SET SCREW	1.0	EA
20	T10431	NUT	1.0	EA
21	T100156	TOWING PIN	1.0	EA
22	T6075	R CLIP	1.0	EA
23	T14285	RETAINING CHAIN	1.0	EA
24	T17508	CHAIN SLEEVE	1.0	EA
25	T15830	HEAVY DUTY WASHER	2.0	EA
26	T100155	TOWING JAW	1.0	EA
27	T100563	TOWING BRACKET ASSY	1.0	EA
28	T14078	SET SCREW	2.0	EA
29	T14283	PHILIDAS NUT	2.0	EA
30	T100778	ROPS MOUNTING COVER PLATE	2.0	EA
31	T12876	SOCKET DOME HEAD SCREW	4.0	EA
32	T12973	WASHER	4.0	EA
33	T9345	HEAVY DUTY WASHER	4.0	EA
34	T12972	SPRING WASHER	4.0	EA
35	T9775	NUT	4.0	EA

Rear Cover Assembly - Hydrostatic - Tier 2

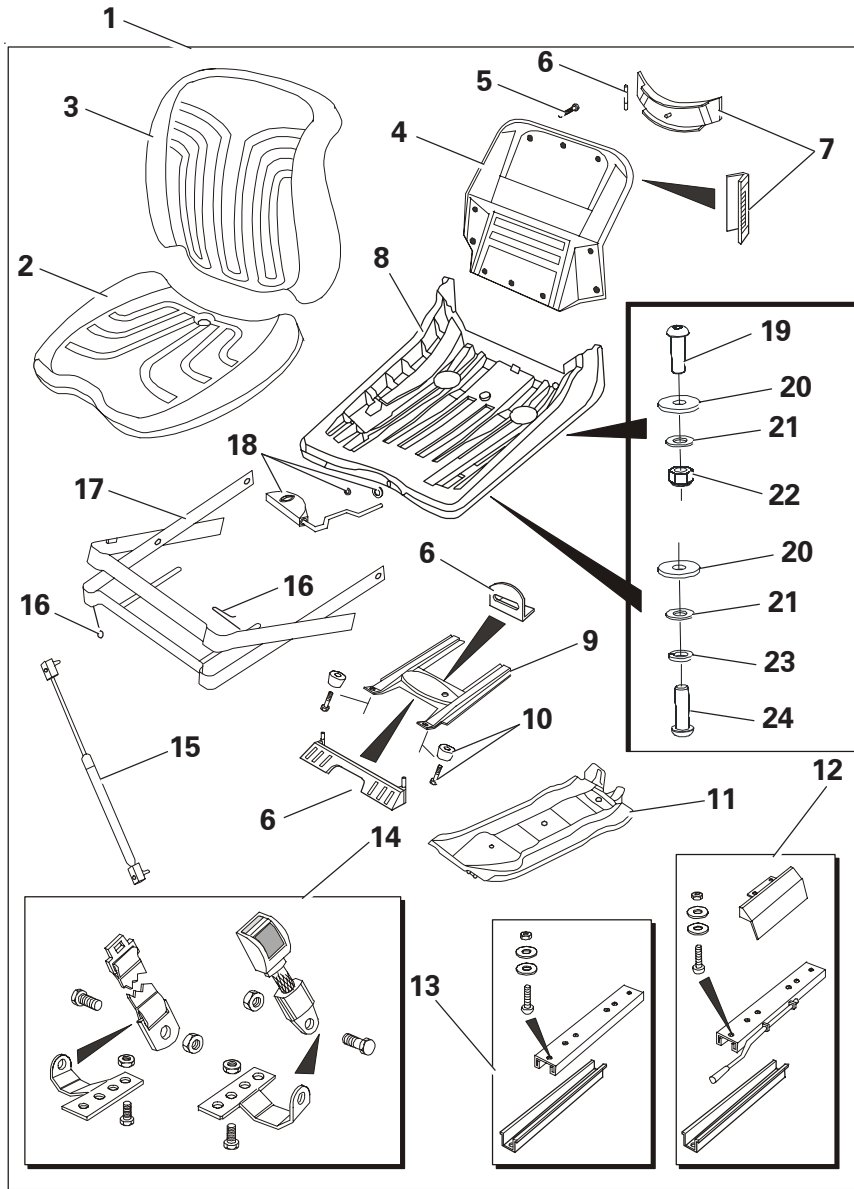


REAR CHASSIS ASSEMBLY



Item	Part No.	Description	Qty	U/M
1	T100350	MUDGUARD RH	1.0	EA
2	T14077	SET SCREW	8.0	EA
3	T14748	HEAVY DUTY WASHER	8.0	EA
4	T100342	REAR CHASSIS	1.0	EA
5	T20618	SET SCREW	7.0	EA
6	T8128	HEAVY DUTY WASHER	1.0	EA
7	T10734	HEAVY DUTY WASHER	4.0	EA
8	T16505	SET SCREW	2.0	EA
9	T9775	NUT	4.0	EA
10	T12972	SPRING WASHER	4.0	EA
11	T12973	WASHER	4.0	EA
12	T7465	SET SCREW	4.0	EA
13	T100954	FOOT REST	1.0	EA
14	T100491	FLOORPLATE	1.0	EA
15	T102083	SOUND INSULATION (REAR)	1.0	EA
16	T102084	SOUND INSULATION (FRONT)	1.0	EA
17	T100531	MUDGUARD LH	1.0	EA
18	T14908	BOLT	8.0	EA
19	T100867	WASHER	8.0	EA
20	T14910	PHILIDAS NUT	8.0	EA
21	T100894	AXLE PACKER	2.0	EA
22	T15819	WASHER	8.0	EA
23	T100147	STEP	2.0	EA
24	T13064	PHILIDAS NUT	4.0	EA

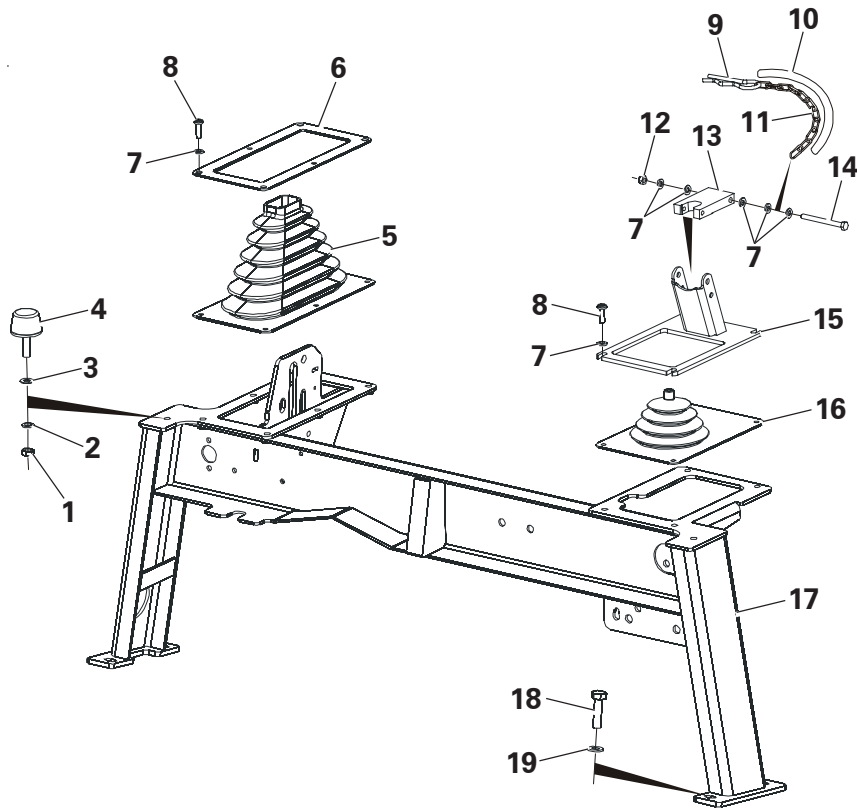
**SEAT ASSEMBLY**



Item	Part No.	Description	Qty	U/M
1	T100024	SEAT-MSG20 C/W BELTS	1.0	EA
2	T52524	SEAT CUSHION VINYL	1.0	EA
3	T51918	UPHOLSTERED BACK REST	1.0	EA
4	T51919	PLATE	1.0	EA
5	T51920	SCREW SET	1.0	EA
6	T51928	FRAME KIT	1.0	EA
7	T51936	BLANKING COVERS	1.0	EA
8	T52525	SEAT PAN	1.0	EA
9	T52530	OUTER SWING ARM	1.0	EA
10	T51927	SCREW & WASHER SET	1.0	EA
11	T52529	INNER SWING ARM	1.0	EA
12	T51929	SLIDE RAIL KIT	1.0	EA
13	T51930	SLIDE RAIL	1.0	EA
14	T52536	SEAT BELT	1.0	EA
15	T52531	SHOCK ABSORBER	1.0	EA
16	T52526	REPAIR KIT	1.0	EA
17	T52527	SUSPENSION COVER	1.0	EA
18	T51921	LEVER	1.0	EA
19	T12971	BUTTON HEAD SCREW	2.0	EA
20	T9345	WASHER	4.0	EA
21	T12973	PLAIN WASHER	4.0	EA
22	T13457	NYLOC NUT	2.0	EA
23	T12972	SPRING WASHER	2.0	EA
24	T12832	DOME HEAD SCREW	2.0	EA

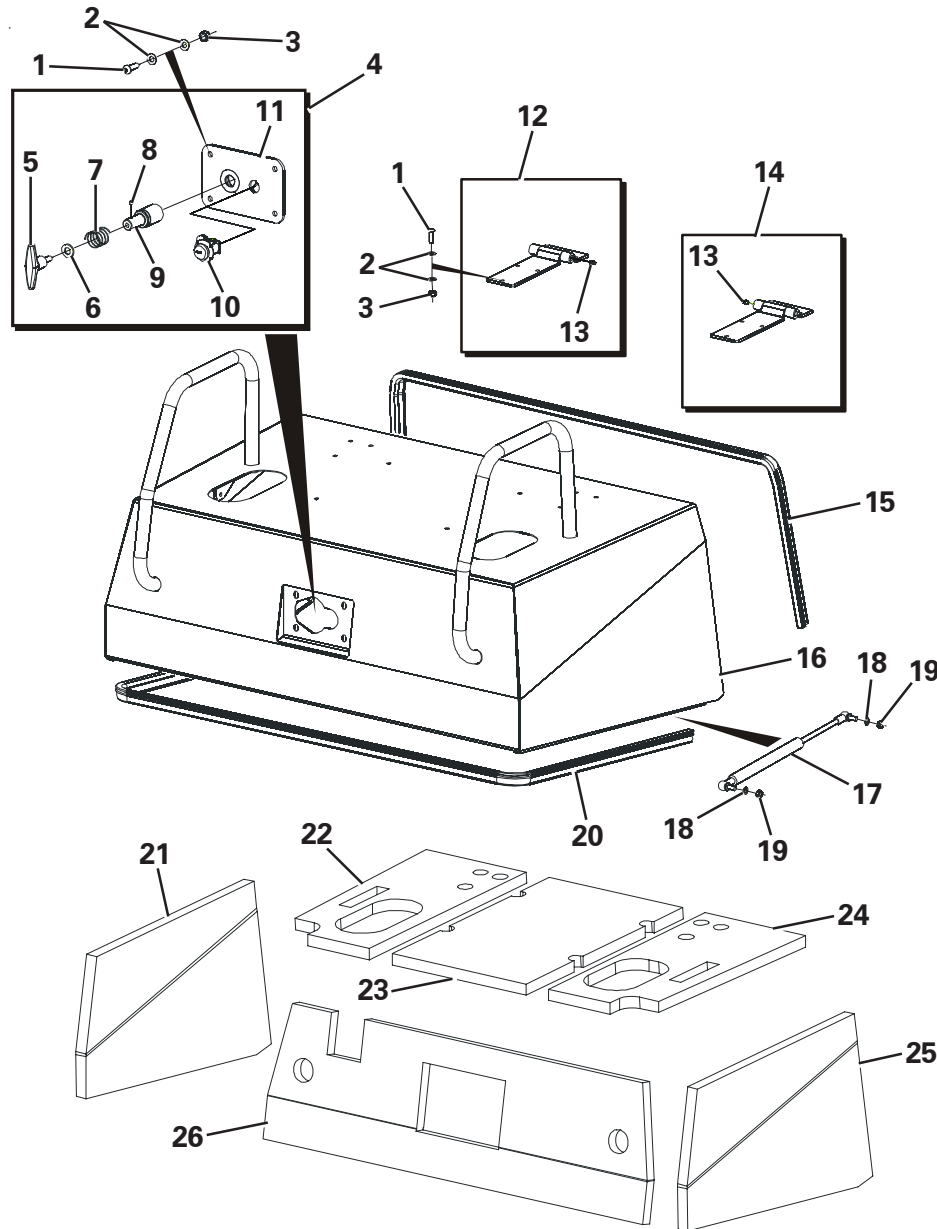
Seat Assembly

**CONTROL MTG BRACE ASSEMBLY**



Item	Part No.	Description	Qty	U/M
1	T9775	NUT	2.0	EA
2	T12972	SPRING WASHER	2.0	EA
3	T12973	WASHER	2.0	EA
4	T100214	RUBBER BUFFER	2.0	EA
5*	T102309	GAITER	1.0	EA
6	T100570	GAITER RETAINING PLATE	1.0	EA
7	T13911	WASHER	15.0	EA
8	T16492	PAN HEAD SCREW	10.0	EA
9	T10012	R CLIP	1.0	EA
10	T17508	CHAIN SLEEVE	1.0	EA
11	T17507	LOCKING PIN CHAIN	1.0	EA
12	T16481	NYLOC NUT	1.0	EA
13	T100898	LEVER LOCK	1.0	EA
14	T17920	BOLT	1.0	EA
15	T102112	VALVE LEVER LOCK BRACKET	1.0	EA
16	T100289	TIPPING LEVER GAITER	1.0	EA
17	T101787	CONTROL MTG BRACE	1.0	EA
18	T16500	BOLT	4.0	EA
19	T10734	HEAVY DUTY WASHER	4.0	EA

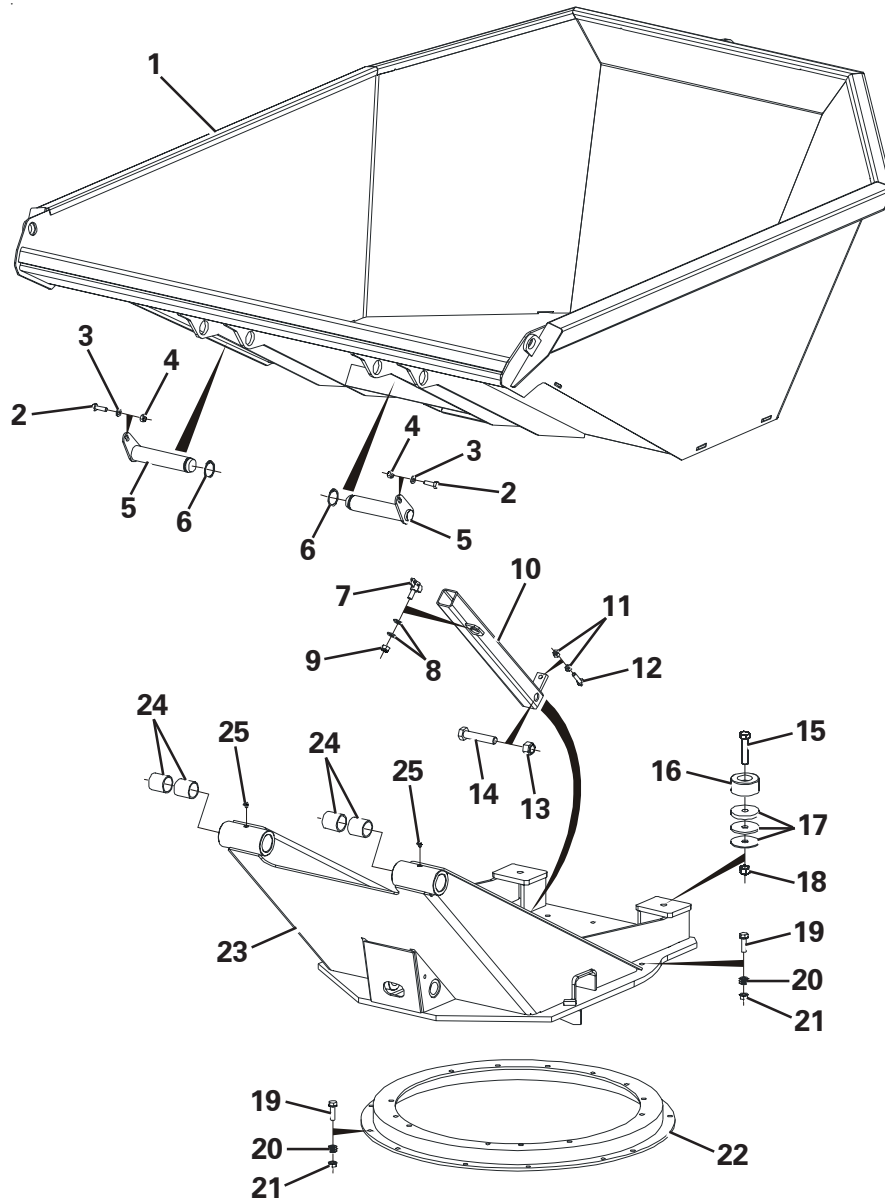
ENGINE COVER ASSEMBLY



Item	Part No.	Description	Qty	U/M
1	T12971	SOCKET DOME HEAD SCREW	16.0	EA
2	T12973	WASHER	32.0	EA
3	T13457	NYLOC NUT	16.0	EA
4	T100211	LOCK ASSY	1.0	EA
5	T100216	RENCOL HANDLE	1.0	EA
6	T10734	HEAVY DUTY WASHER	1.0	EA
7	T100287	SPRING	1.0	EA
8	T100477	GRUB SCREW	1.0	EA
9	T100266	LOCK PLUNGER	1.0	EA
10	T100265	COMPARTMENT LOCK	1.0	EA
11	T100286	WELDED LOCK ASSY	1.0	EA
12	T101780	HINGE RH (WITH GREASE NIPPLE)	1.0	EA
13	T16586	GREASE NIPPLE	2.0	EA
14	T101779	HINGE LH (WITH GREASE NIPPLE)	1.0	EA
15	T101831	REAR SEAL	1.0	EA
16	T101786	ENGINE COVER	1.0	EA
17	T100610	GAS STRUT	2.0	EA
18	T12972	SPRING WASHER	4.0	EA
19	T9775	NUT	4.0	EA
20	T101830	LOWER SEAL	1.0	EA
21	T102078	BONNET INSULATION	1.0	EA
22	T102075	BONNET INSULATION	1.0	EA
23	T102073	BONNET INSULATION	1.0	EA
24	T102074	BONNET INSULATION	1.0	EA
25	T102077	BONNET INSULATION	1.0	EA
26	T102076	BONNET INSULATION	1.0	EA

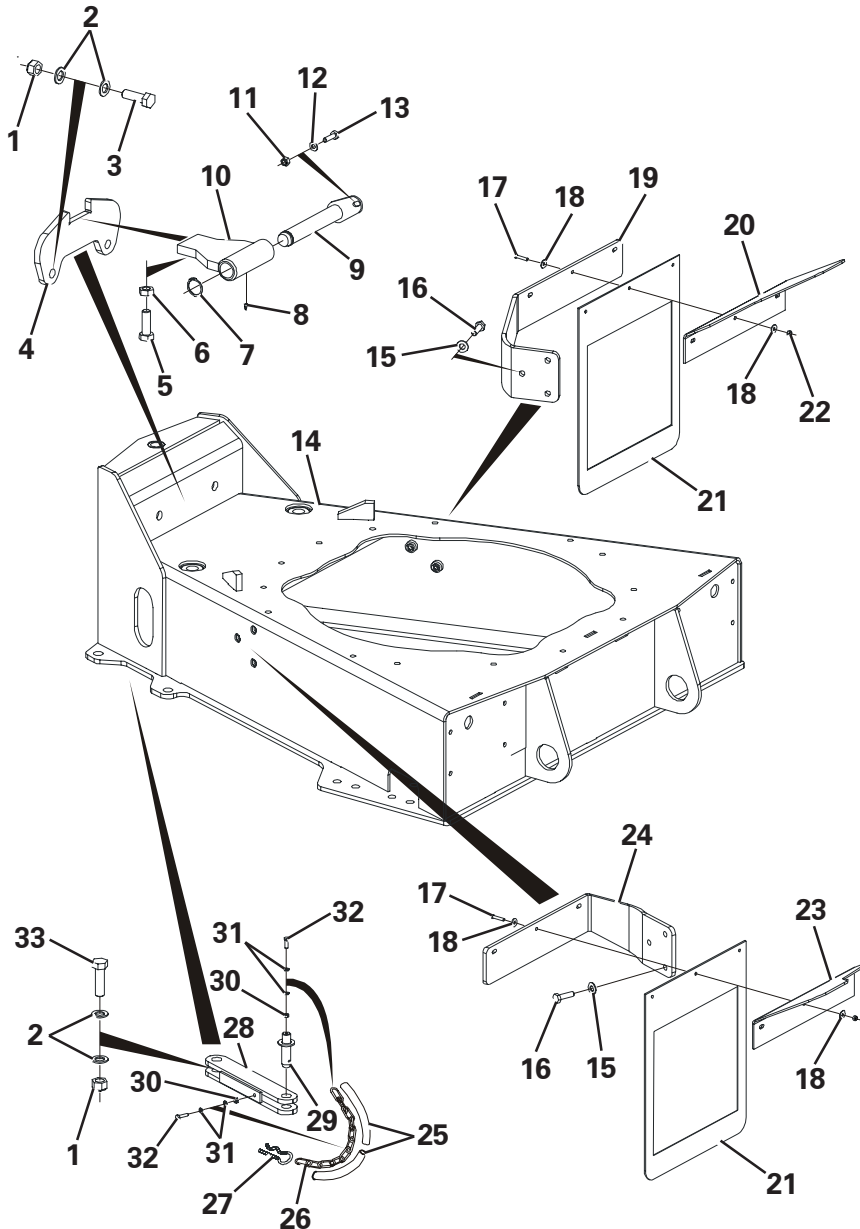
Engine Cover Assembly - Hydrostatic - Tier 2

## SKIP & SUB CHASSIS



Item	Part No.	Description	Qty	U/M
1	T100508	SKIP	1.0	EA
2	T16505	SET SCREW	2.0	EA
3	T10734	HEAVY DUTY WASHER	2.0	EA
4	T13064	PHILIDAS NUT	2.0	EA
5	T100087	SKIP PIVOT PIN	2.0	EA
6	T100099	CIRCLIP	2.0	EA
7	T100384	ANTI-LUCE FITTING	1.0	EA
8	T14748	HEAVY DUTY WASHER	2.0	EA
9	T14283	PHILIDAS NUT	1.0	EA
10	T100235	SKIP PROP	1.0	EA
11	T12509	NUT	2.0	EA
12	T12761	BOLT	1.0	EA
13	T13739	PHILIDAS NUT	1.0	EA
14	T20329	BOLT	1.0	EA
15	T100594	SET SCREW	2.0	EA
16	T100581	SKIP STOP	2.0	EA
17	T100578	SKIP PAD SPACER 3mm	A/R	EA
	T100303	SKIP PAD SPACER 5mm	A/R	EA
	T100386	SKIP PAD SPACER 10mm	A/R	EA
18	T14910	PHILIDAS NUT	2.0	EA
19	T9926	DURLOCK BOLT	27.0	EA
20	T7245/1	.003 SHIM	A/R	EA
	T7245/2	.005 SHIM	A/R	EA
	T7245/3	.010 SHIM	A/R	EA
	T7245/4	.020 SHIM	A/R	EA
	T7245/5	.030 SHIM	A/R	EA
21	T9928	DURLOCK NUT	27.0	EA
22	T100348	SLEW RING	1.0	EA
23	T100485	SUB-CHASSIS	1.0	EA
24	T100029	BUSH	4.0	EA
25	T16587	GREASE NIPPLE	2.0	EA

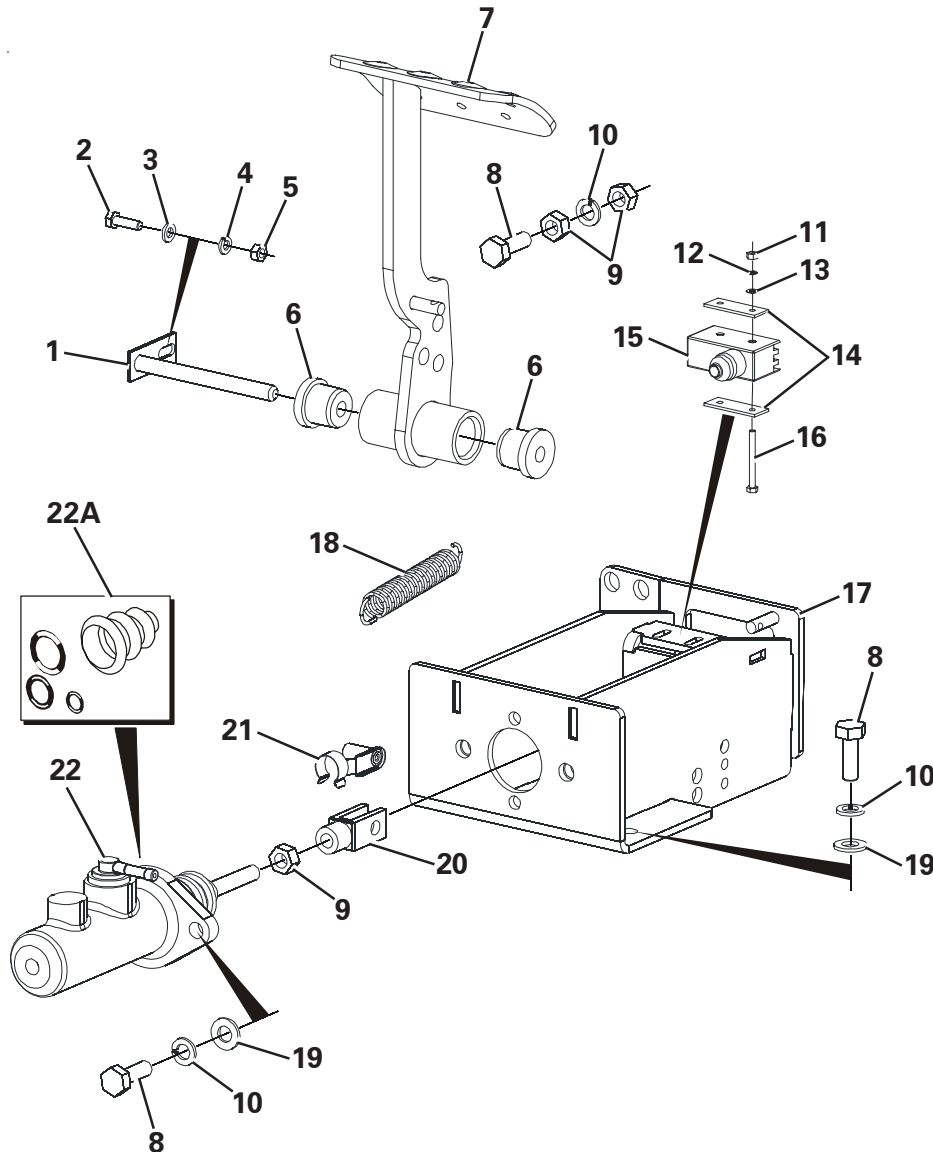
## FRONT CHASSIS ASSEMBLY



Item	Part No.	Description	Qty	U/M
1	T13739	PHILIDAS NUT	3.0	EA
2	T17306	WASHER	6.0	EA
3	T100459	BOLT	2.0	EA
4	T100522	LATCH PLATE	1.0	EA
5	T100865	SET SCREW	1.0	EA
6	T100866	NUT	1.0	EA
7	T100098	CIRCLIP	1.0	EA
8	T16586	GREASE NIPPLE	1.0	EA
9	T100089	PIVOT PIN	1.0	EA
10	T100521	LATCH ASSY	1.0	EA
11	T13064	PHILIDAS NUT	1.0	EA
12	T10734	HEAVY DUTY WASHER	1.0	EA
13	T16505	SET SCREW	1.0	EA
14	T100341	FRONT CHASSIS	1.0	EA
15	T14748	HEAVY DUTY WASHER	6.0	EA
16	T14078	SET SCREW	6.0	EA
17	T100700	SOCKET DOME HEAD SCREW	6.0	EA
18	T15830	HEAVY DUTY WASHER	12.0	EA
19	T100523	MUDGUARD BRACKET LH	1.0	EA
20	T100526	MUDGUARD LH	1.0	EA
21	T100027	MUDFLAP RUBBER	2.0	EA
22	T13910	PHILIDAS NUT	6.0	EA
23	T100525	MUDGUARD RH	1.0	EA
24	T100524	MUDGUARD BRACKET RH	1.0	EA
25	T17508	CHAIN SLEEVE	2.0	EA
26	T18186	PIN RETAINING CHAIN	1.0	EA
27	T10012	'R' CLIP	1.0	EA
28	T100102	CHASSIS LOCK BAR ASSY	1.0	EA
29	T100103	CHASSIS LOCK PIN ASSY	1.0	EA
30	T10431	NUT	2.0	EA
31	T13911	WASHER	4.0	EA
32	T16477	SET SCREW	2.0	EA
33	T100310	BOLT	1.0	EA

Front Chassis - Powerswivel - Tier 2

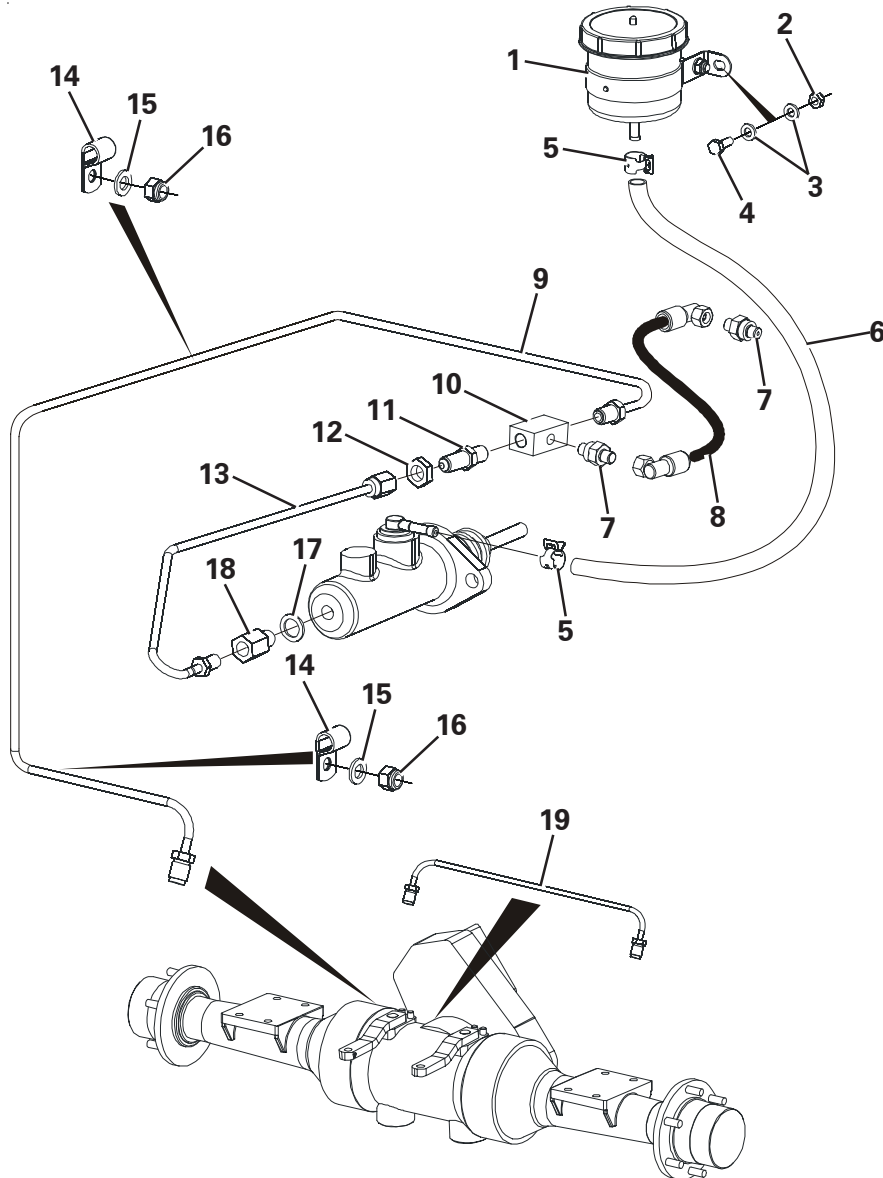
**BRAKE PEDAL ASSEMBLY**



Item	Part No.	Description	Qty	U/M
1	T100096	PEDAL SHAFT	1.0	EA
2	T16477	SET SCREW	1.0	EA
3	T15830	HEAVY DUTY WASHER	1.0	EA
4	T14837	SPRING WASHER	1.0	EA
5	T10431	NUT	1.0	EA
6	T100110	BUSH	2.0	EA
7	T100636	BRAKE/INCHING PEDAL	1.0	EA
8	T20618	SET SCREW	5.0	EA
9	T12509	NUT	3.0	EA
10	T13362	SPRING WASHER	5.0	EA
11	T11447	NUT	2.0	EA
12	T11439	SPRING WASHER	2.0	EA
13	T11440	WASHER	2.0	EA
14	T13289	MICRO SWITCH BACKING PLATE	2.0	EA
15	T100223	MICRO SWITCH	1.0	EA
16	T13321	SET SCREW	2.0	EA
17	T100351	MASTER CYLINDER MTG BRKT	1.0	EA
18	T100318	BRAKE SPRING	1.0	EA
19	T15819	WASHER	4.0	EA
20	T100083	FORK END	1.0	EA
21	T100084	SPRING CLEVIS PIN	1.0	EA
22	T100399	MASTER CYLINDER	1.0	EA
22A	T52799	SEAL KIT	1.0	EA

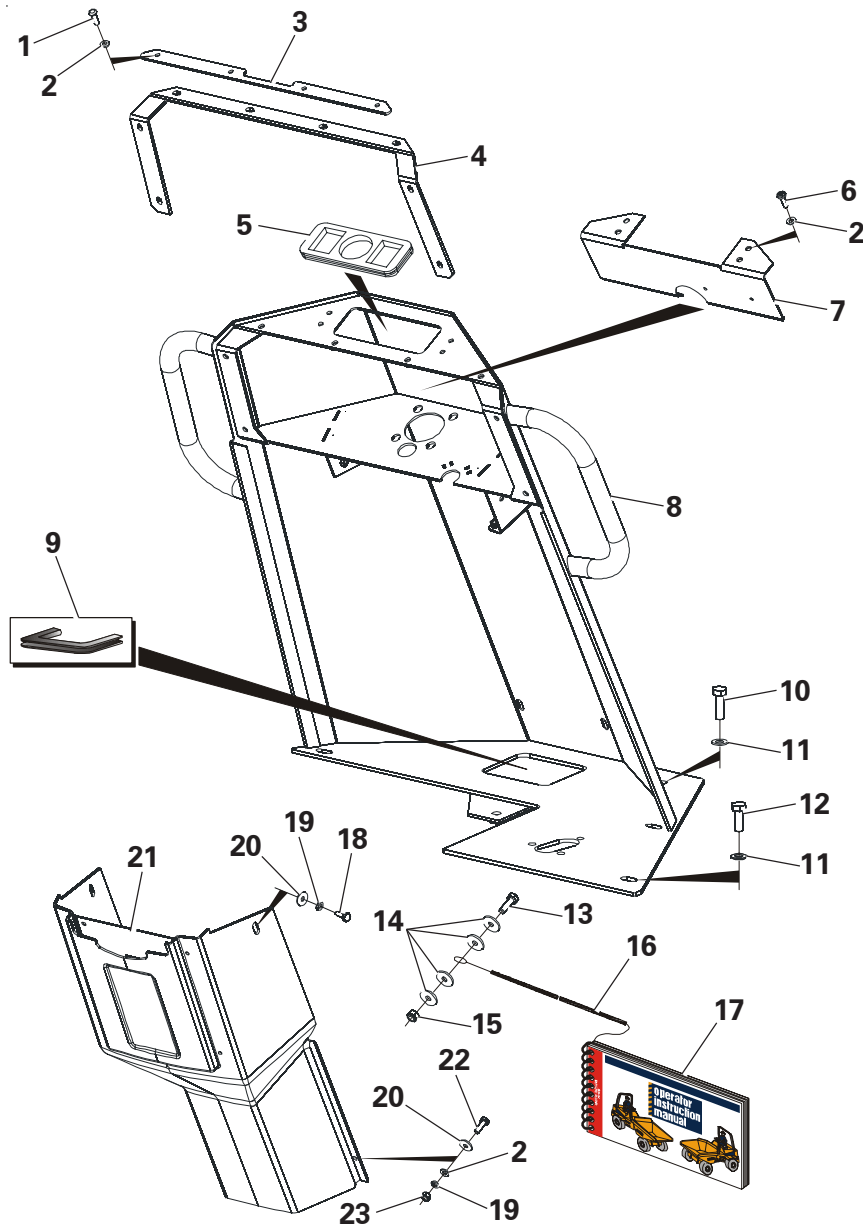
Brake Pedal Assembly - Hydrostatic - Tier 2

**BRAKE CIRCUIT - HYDROSTATIC**



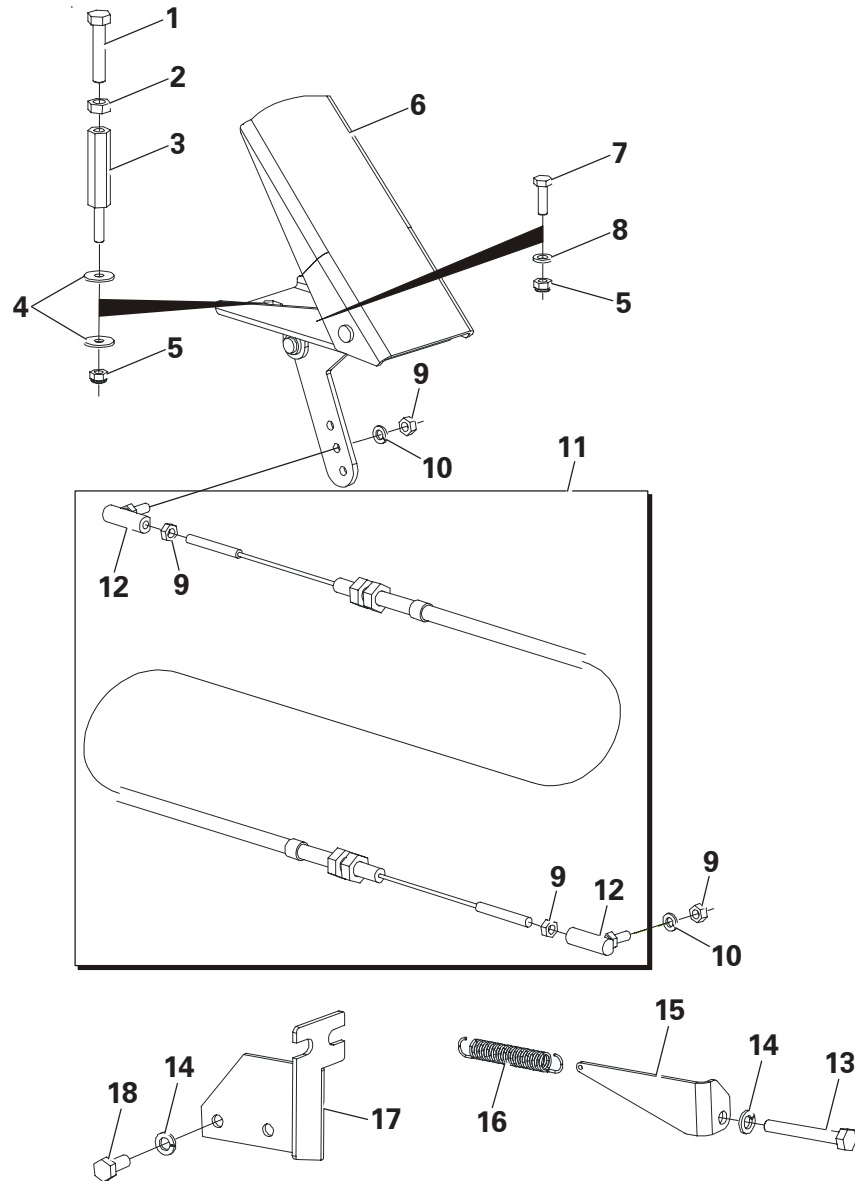
Item	Part No.	Description	Qty	U/M
1	T100402	RESERVOIR	1.0	EA
2	T16481	NYLOC NUT	2.0	EA
3	T13911	WASHER	4.0	EA
4	T10917	SET SCREW	2.0	EA
5	T100691	HOSE CLIP	2.0	EA
6	T100747	BRAKE HOSE	1.0	EA
7	T100790	ADAPTOR	2.0	EA
8	T100726	HOSE	1.0	EA
9	T100703	BRAKE PIPE	1.0	EA
10	T9369	SPECIAL 3 WAY TEE	1.0	EA
11	T100697	BRAKE B/H UNION	1.0	EA
12	T8942	LOCK NUT	1.0	EA
13	T100702	BRAKE PIPE	1.0	EA
14	T11452	P CLIP	2.0	EA
15	T16612	WASHER	2.0	EA
16	T16613	NYLOC NUT	2.0	EA
17	T10940	DOWTY WASHER	1.0	EA
18	T100701	ADAPTOR	1.0	EA
19	T100704	BRAKE PIPE	1.0	EA

LEG GUARD ASSEMBLY



Item	Part No.	Description	Qty	U/M
1	T100315	DOME HEAD SCREW	4.0	EA
2	T13911	WASHER	10.0	EA
3	T100506	CLAMPING STRIP	1.0	EA
4	T100320	SEALING GASKET	1.0	EA
5	T100356	STEERING COLUMN GROMMET	1.0	EA
6	T16492	PAN HEAD SCREW	4.0	EA
7	T100540	SPLASH GUARD	1.0	EA
8	T101015	LEG GUARD ASSY	1.0	EA
9	T52795	E J TRIM	1.0	EA
10	T16505	SET SCREW	2.0	EA
11	T10734	HEAVY DUTY WASHER	5.0	EA
12	T20618	SET SCREW	3.0	EA
13	T12694	SET SCREW	1.0	EA
14	T9345	HEAVY DUTY WASHER	4.0	EA
15	T13457	NYLOC NUT	1.0	EA
16	T100699	RETAINING CABLE	1.0	EA
17	T0428	OPERATOR BOOK	1.0	EA
18	T10917	SET SCREW	2.0	EA
19	T14837	SPRING WASHER	4.0	EA
20	T15830	HEAVY DUTY WASHER	4.0	EA
21	T100159	INNER LEG GUARD	1.0	EA
22	T16477	SET SCREW	2.0	EA
23	T10431	NUT	2.0	EA

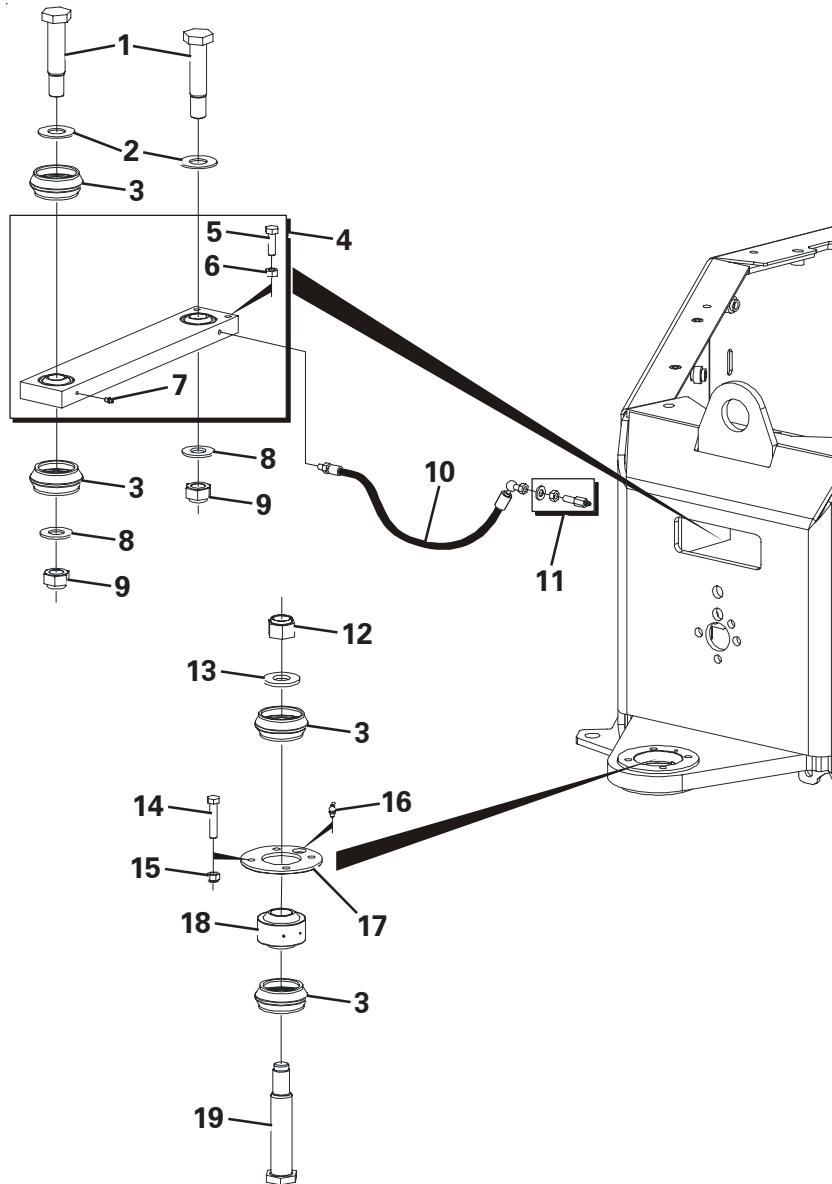
**THROTTLE ASSEMBLY**



Item	Part No.	Description	Qty	U/M
1	T16494	BOLT	1.0	EA
2	T9775	NUT	1.0	EA
3	T101032	THROTTLE STOP	1.0	EA
4	T15830	HEAVY DUTY WASHER	2.0	EA
5	T16481	NYLOC NUT	3.0	EA
6	T101965	THROTTLE PEDAL	1.0	EA
7	T16477	SET SCREW	2.0	EA
8	T13911	WASHER	2.0	EA
9	T10431	NUT	4.0	EA
10	T14837	SPRING WASHER	2.0	EA
11	T101785	THROTTLE CABLE	1.0	EA
12	T16192	AMEL END	2.0	EA
13	T17157	BOLT	1.0	EA
14	T12972	SPRING WASHER	3.0	EA
15	T101768	THROTTLE SPRING MTG	1.0	EA
16	T18452	SPRING	1.0	EA
17	T101770	THROTTLE CABLE REACTION	1.0	EA
18	T7465	SET SCREW	2.0	EA

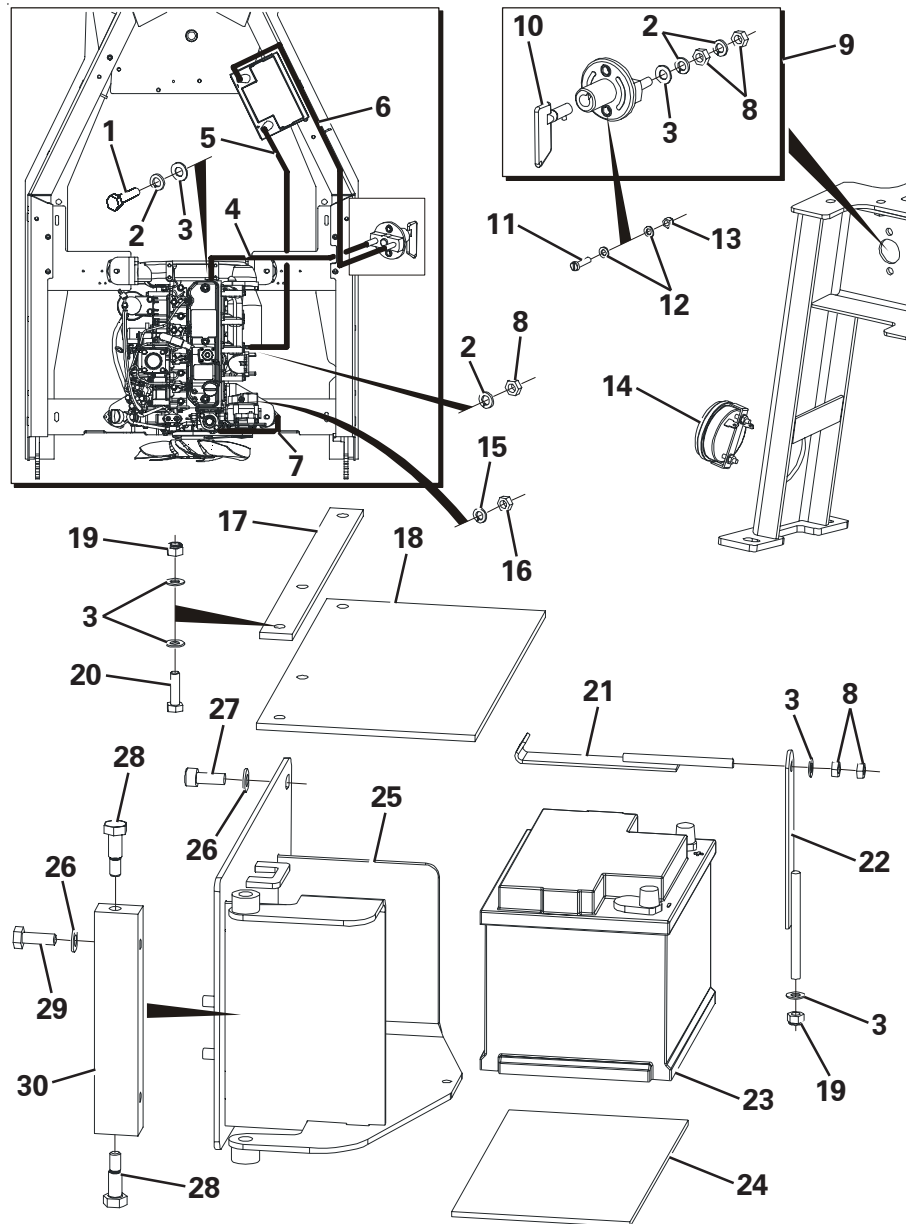
Throttle Pedal Assembly - Tier 2

## KINGLINK ASSEMBLY



Item	Part No.	Description	Qty	U/M
1	T100593	TOP PIVOT BOLT	2.0	EA
2	T6768	WASHER	2.0	EA
3	T10160	RUBBER DUST SEAL	4.0	EA
4	T52796	KINGLINK ASSEMBLY	1.0	EA
5	T16505	SET SCREW	2.0	EA
6	T12509	NUT	2.0	EA
7	T16586	GREASE NIPPLE	1.0	EA
8	T11811	HEAVY DUTY WASHER	2.0	EA
9	T10143	NUT	2.0	EA
10	T100727	GREASE PIPE	1.0	EA
11	T100390	GREASE NIPPLE ASSEMBLY	1.0	EA
12	T10331	LOCKNUT	1.0	EA
13	T7695	HEAVY DUTY WASHER	1.0	EA
14	T101725	BOLT	4.0	EA
15	T101724	NYLOC NUT	4.0	EA
16	T16588	GREASE NIPPLE	1.0	EA
17	T100527	LOWER BEARING CAP	1.0	EA
18	T100268	SPHERICAL BEARING	1.0	EA
19	T100489	BOTTOM PIVOT PIN	1.0	EA

**BATTERY BOX ASSEMBLY**

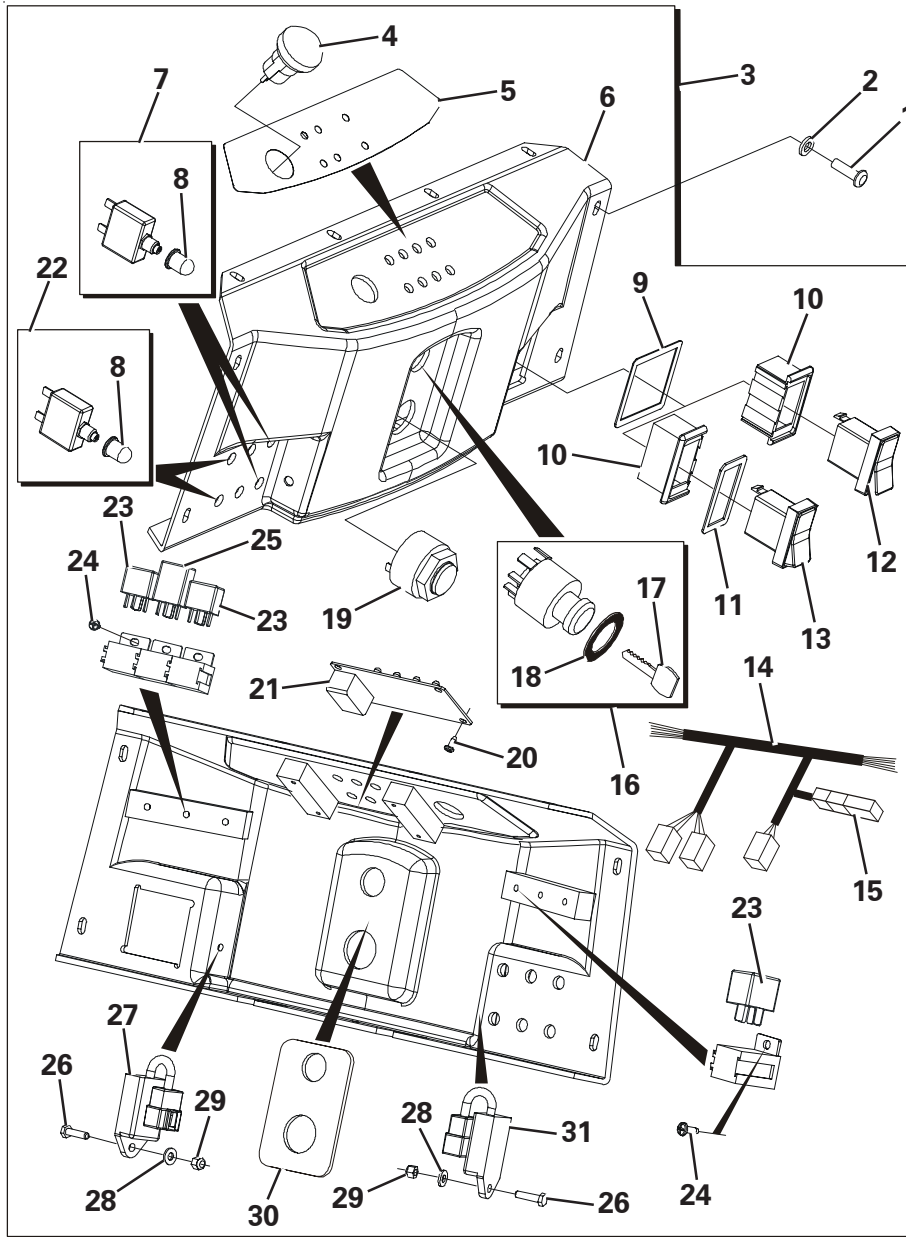


Item	Part No.	Description	Qty	U/M
1	T11673	SET SCREW	1.0	EA
2	T12972	SPRING WASHER	6.0	EA
3	T12973	WASHER	11.0	EA
4	T101915	ISOLATOR CABLE	1.0	EA
5	T101913	BATTERY POSITIVE CABLE	1.0	EA
6	T101914	BATTERY NEGATIVE CABLE	1.0	EA
7	T100665	EARTH LEAD	1.0	EA
8	T9775	NUT	7.0	EA
9	T20846	BATTERY ISOLATOR SWITCH	1.0	EA
10	T52600	KEY	1.0	EA
11	T16476	SET SCREW	2.0	EA
12	T13911	WASHER	4.0	EA
13	T16481	NYLOC NUT	2.0	EA
14	T16538	HOURMETER	1.0	EA
15	T14837	SPRING WASHER	1.0	EA
16	T10431	NUT	1.0	EA
17	T100394	BATTERY COVER RETAINER	1.0	EA
18	T100393	RUBBER BATTERY COVER	1.0	EA
19	T13457	NYLOC NUT	4.0	EA
20	T14152	BOLT	3.0	EA
21	T100432	BATTERY STOP TOP	1.0	EA
22	T100758	BATTERY STOP FRONT	1.0	EA
23	T100967	BATTERY	1.0	EA
24	T16948	NON-SLIP MAT	1.0	EA
25	T100376	BATTERY BOX	1.0	EA
26	T10734	HEAVY DUTY WASHER	4.0	EA
27	T16770	SOCKET HEAD CAP SCREW	2.0	EA
28	T100577	PIVOT PIN	2.0	EA
29	T20618	SET SCREW	2.0	EA
30	T100592	HINGE BLOCK	1.0	EA

Battery Box Assembly - Manual - Tier 2

## DASH PANEL ASSEMBLY

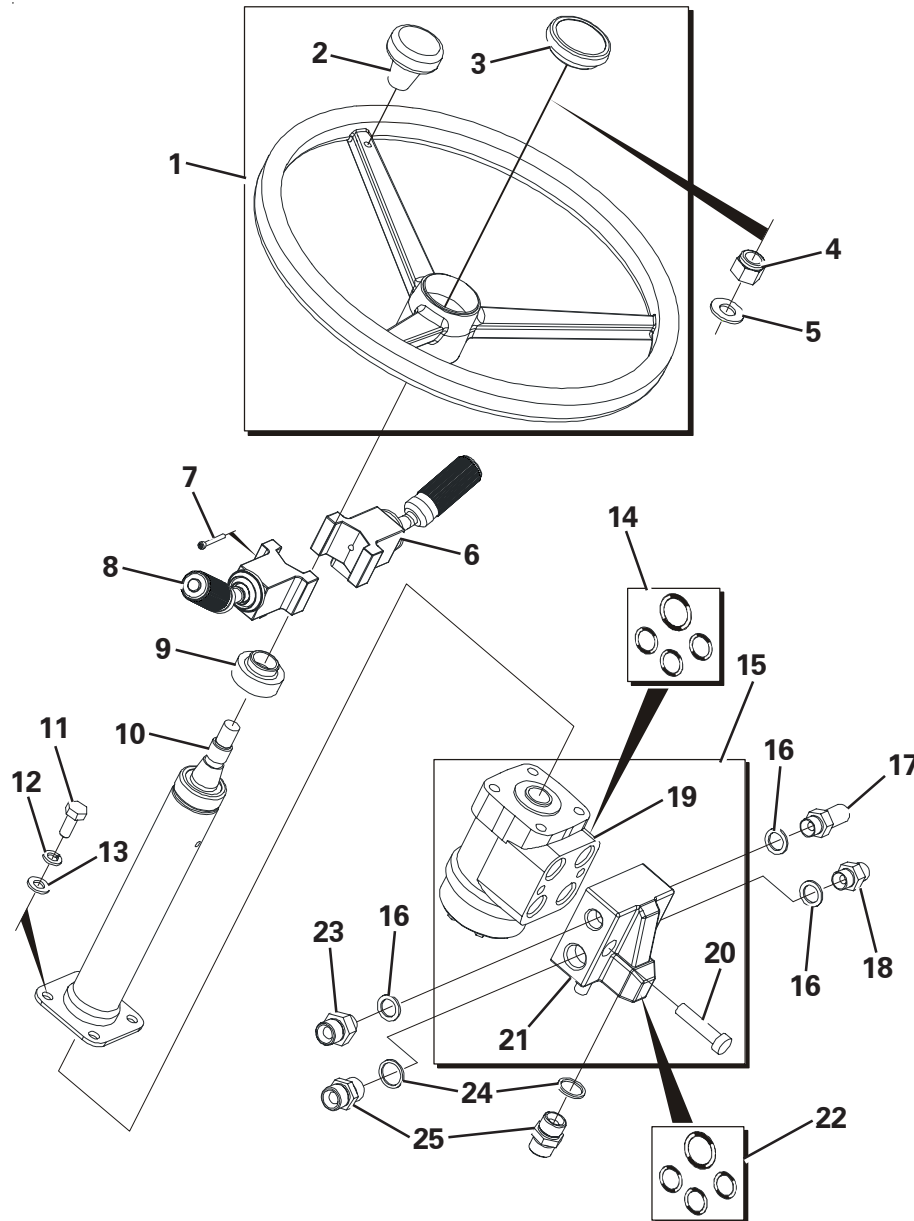
Item	Part No.	Description	Qty	U/M
1	T100315	DOME HEAD SCREW	4.0	EA
2	T13911	WASHER	4.0	EA
3	T101761	DASH PANEL ASSY	1.0	EA
4	T52302	HORN PUSH	1.0	EA
5	T100635	CONSOLE DECAL	1.0	EA
6	T101099	DASH PANEL	1.0	EA
7	T101131	CIRCUIT BREAKER 18AMP	4.0	EA
8	T101133	CIRCUIT BREAKER SPLASHGUARD	6.0	EA
9	T52448	MOUNTING PANEL GASKET	1.0	EA
10	T52446	SWITCH MOUNTING PANEL	2.0	EA
11	T52304	SWITCH BLANK SEAL	2.0	EA
12	T52461	HAZARD SWITCH	1.0	EA
13	T52445	BEACON SWITCH	1.0	EA
14	T101760	PANEL HARNESS	1.0	EA
15	T52724	DIODE	1.0	EA
16	T52307	IGNITION SWITCH	1.0	EA
17	T50479	STARTER SWITCH KEY	1.0	EA
18	T52311	INDEX PLATE	1.0	EA
19	T100902	BUZZER	1.0	EA
20	T101135	SCREW	4.0	EA
21	T101128	LED MODULE	1.0	EA
22	T101149	CIRCUIT BREAKER 5AMP	2.0	EA
23	T101129	RELAY	3.0	EA
24	T101134	SCREW	4.0	EA
25	T101130	FLASHER UNIT	1.0	EA
26	T16611	CHEESE HEAD SCREW	2.0	EA
27	T52726	STOP SOLENOID - TIMER	1.0	EA
28	T16612	WASHER	2.0	EA
29	T16613	NYLOC NUT	2.0	EA
30	T101778	IGNITION SWITCH BACKING PLATE	1.0	EA
31	T52725	GLOW PLUG - TIMER	1.0	EA



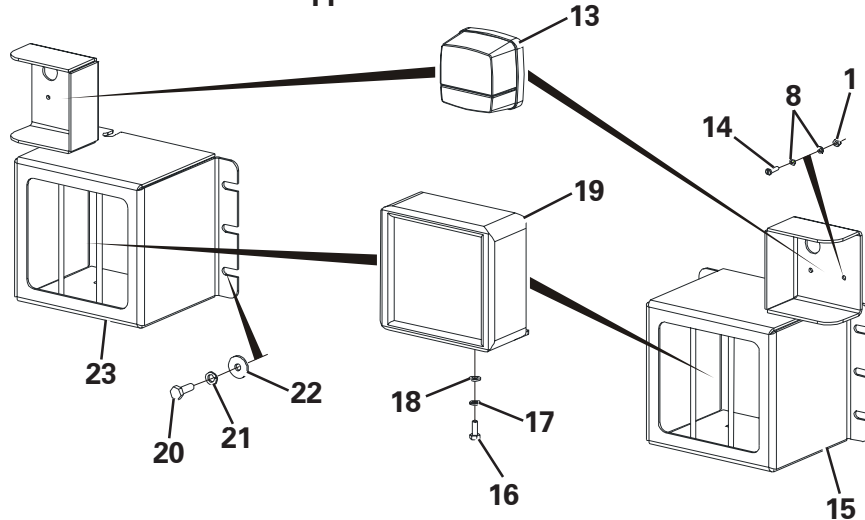
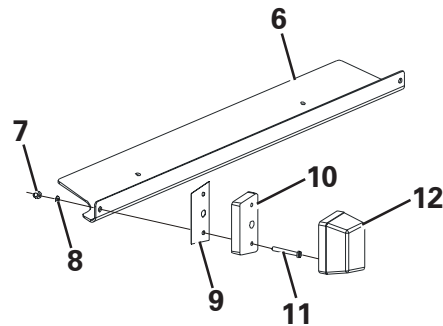
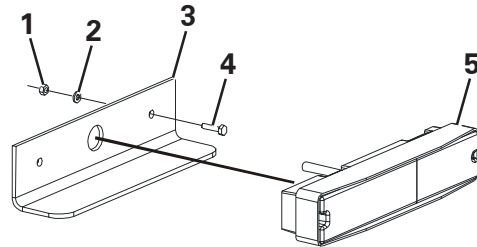
Dash Panel Assembly - Hydrostatic - Tier 2

## STEERING ASSEMBLY

Item	Part No.	Description	Qty	U/M
1	T100496	STEERING WHEEL & CAP	1.0	EA
2	T52520	SPINNER KNOB	1.0	EA
3	T50541	CENTRE CAP	1.0	EA
4	T100690	NYLOC NUT	1.0	EA
5	T6765	WASHER	1.0	EA
6	T100037	COLUMN SWITCH LIGHTS	1.0	EA
7	T100742	SOCKET HEAD CAP SCREW	2.0	EA
8	T100628	COLUMN SWITCH	1.0	EA
9	T52517	END CAP	1.0	EA
10	T100015	STEERING COLUMN	1.0	EA
11	T7466	SET SCREW	4.0	EA
12	T13362	SPRING WASHER	4.0	EA
13	T15819	WASHER	4.0	EA
14	T51661	SEAL KIT	1.0	EA
15	T18781	STEERING/PRIORITY VALVE	1.0	EA
16	T5637	DOWTY WASHER	3.0	EA
17	T100392	ADAPTOR	1.0	EA
18	T13606	ADAPTOR	1.0	EA
19	T18601	STEERING VALVE	1.0	EA
20	T52378	SCREW	2.0	EA
21	T18602	PRIORITY VALVE	1.0	EA
22	T51662	SEAL KIT	1.0	EA
23	T11165	ADAPTOR	1.0	EA
24	T5596	DOWTY WASHER	2.0	EA
25	T13936	ADAPTOR	2.0	EA



**FRONT & REAR LIGHT ASSEMBLY**

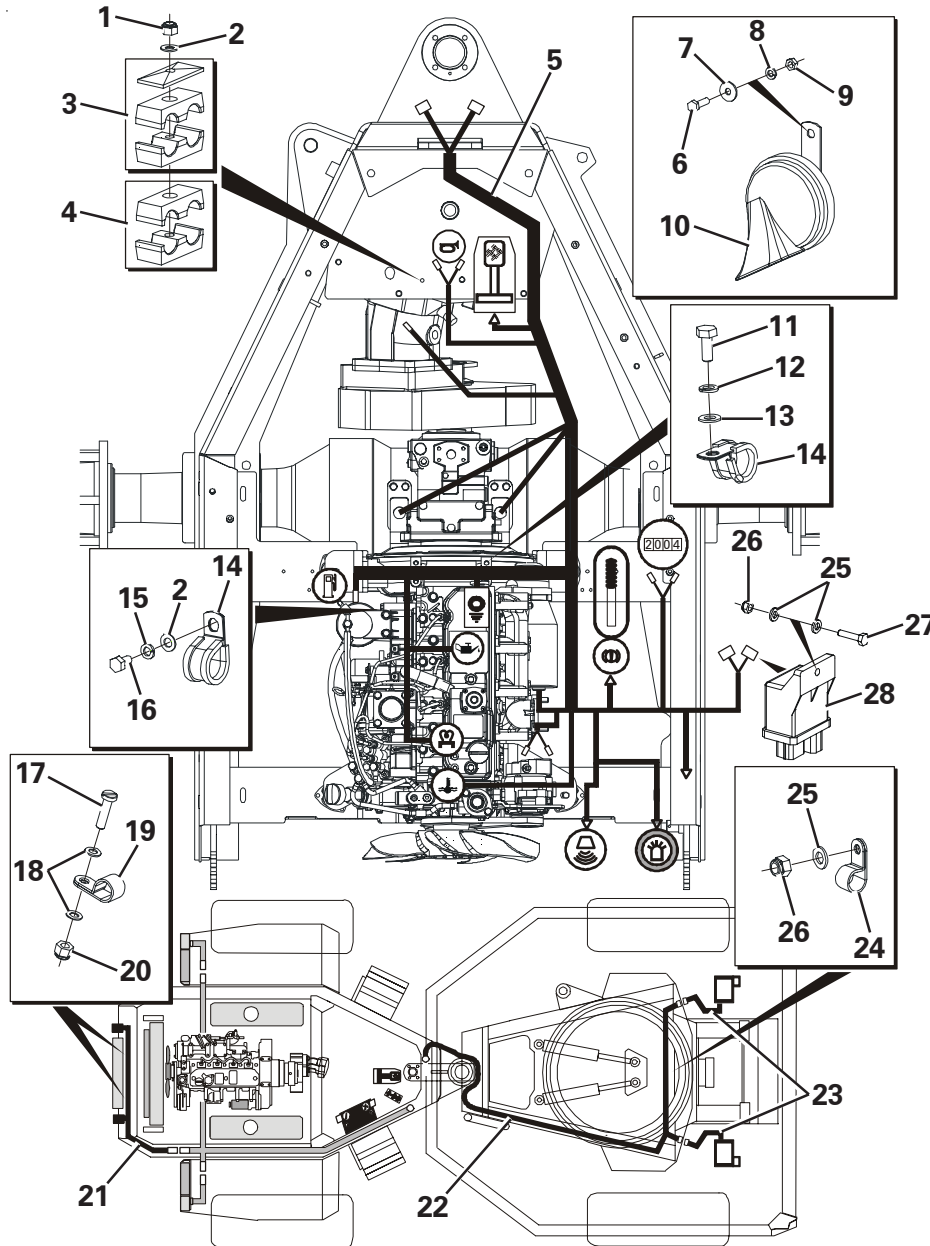


Item	Part No.	Description	Qty	U/M
1	T10431	NUT	4.0	EA
2	T10418	SHAKEPROOF WASHER	4.0	EA
3	T100328	LIGHT BRACKET	2.0	EA
4	T16476	SET SCREW	4.0	EA
5	T100108	REAR LIGHT CLUSTER	2.0	EA
	T52943	REAR LAMP LENS	2.0	EA
6	T101797	BOTTOM BAFFLE PLATE	1.0	EA
7	T16957	NYLOC NUT	4.0	EA
8	T11440	WASHER	12.0	EA
9	T16775	NUMBER PLATE LIGHT GASKET	2.0	EA
10	T16774	NUMBER PLATE LIGHT PLINTH	2.0	EA
11	T16675	CHEESE HEAD SCREW	4.0	EA
12	T16773	NUMBER PLATE LAMP	2.0	EA
13	T13586	SIDE LT/FRONT INDICATOR	2.0	EA
	T13716	FRONT SIDE/IND LIGHT LENS	2.0	EA
14	T19233	CHEESE HEAD SCREW	4.0	EA
15	T101752	LIGHT BRKT LH	1.0	EA
16	T10917	SET SCREW	4.0	EA
17	T14837	SPRING WASHER	4.0	EA
18	T13911	WASHER	4.0	EA
19	T100438	HEADLIGHT (CON)	2.0	EA
	T52944	HEADLAMP UNIT (CON)	2.0	EA
	T100425	HEADLIGHT (UK)	2.0	EA
	T52945	HEADLAMP UNIT (UK)	2.0	EA
20	T12694	SET SCREW	8.0	EA
21	T12972	SPRING WASHER	8.0	EA
22	T9345	HEAVY DUTY WASHER	8.0	EA
23	T101753	LIGHT BRKT RH	1.0	EA

Front and Rear Lights Assembly - Phase 2 - Tier 2

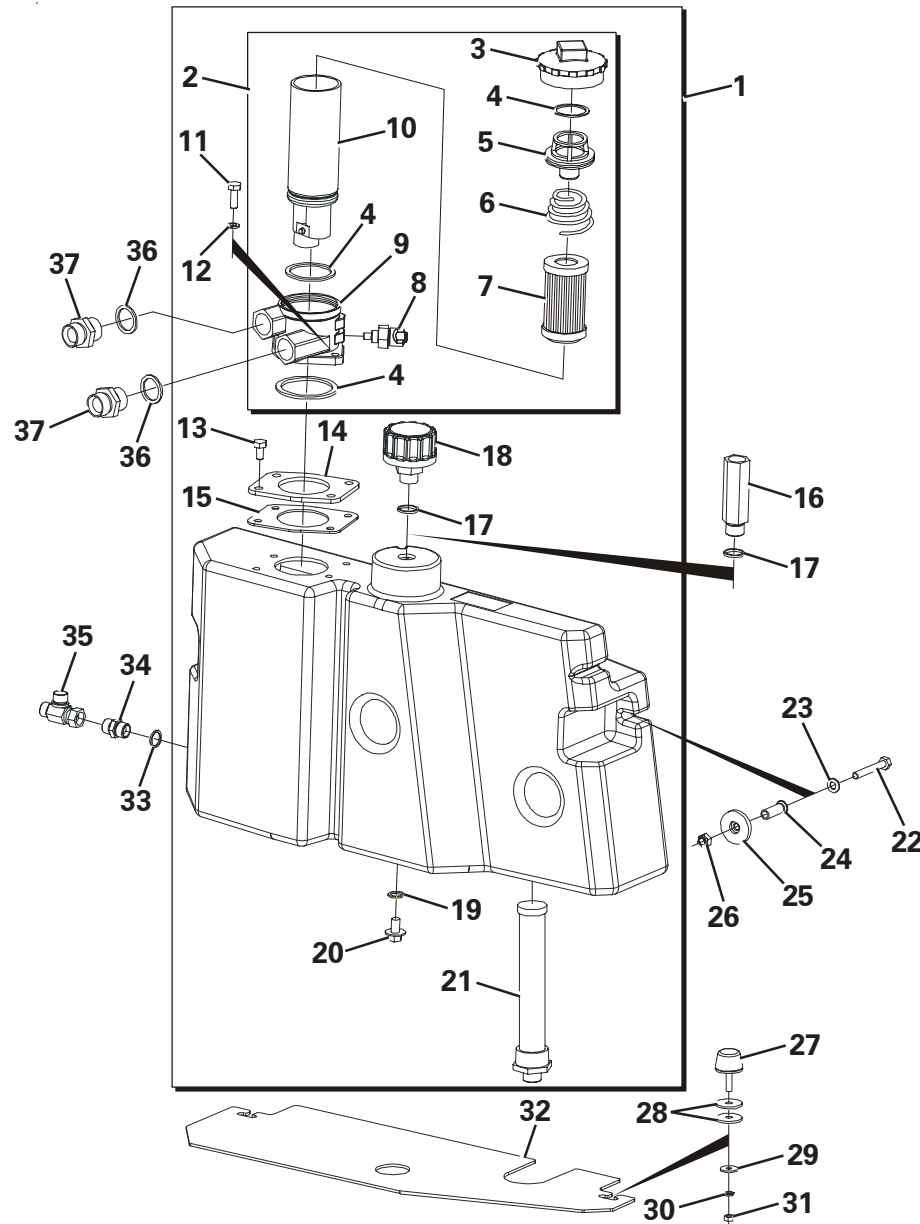
## ENGINE AND LIGHT HARNESS

Item	Part No.	Description	Qty	U/M
1	T13457	NYLOC NUT	1.0	EA
2	T12973	WASHER	2.0	EA
3	T100807	HOSE CLAMP	1.0	EA
4	T19114	PIPE CLAMP	1.0	EA
5	T101757	ENGINE HARNESS	1.0	EA
6	T16477	SET SCREW	1.0	EA
7	T15830	HEAVY DUTY WASHER	1.0	EA
8	T14837	SPRING WASHER	1.0	EA
9	T10431	NUT	1.0	EA
10	T100017	HORN	1.0	EA
11	T7466	SET SCREW	1.0	EA
12	T13362	SPRING WASHER	1.0	EA
13	T10734	HEAVY DUTY WASHER	1.0	EA
14	T9914	P CLIP	2.0	EA
15	T12972	SPRING WASHER	1.0	EA
16	T11673	SET SCREW	1.0	EA
17	T19233	CHEESE HEAD SCREW	2.0	EA
18	T11440	WASHER	4.0	EA
19	T9078	P CLIP	2.0	EA
20	T16957	NYLOC NUT	2.0	EA
21	T100252	NUMBER PLATE HARNESS	1.0	EA
22	T100659	FRONT LIGHT HARNESS	1.0	EA
23	T100250	FRONT LIGHT SUB HARNESS	2.0	EA
24	T100989	P CLIP	5.0	EA
25	T16612	WASHER	7.0	EA
26	T16613	NYLOC NUT	6.0	EA
27	T16610	CHEESE HEAD SCREW	1.0	EA
28	T101777	SAFETY RELAY	1.0	EA



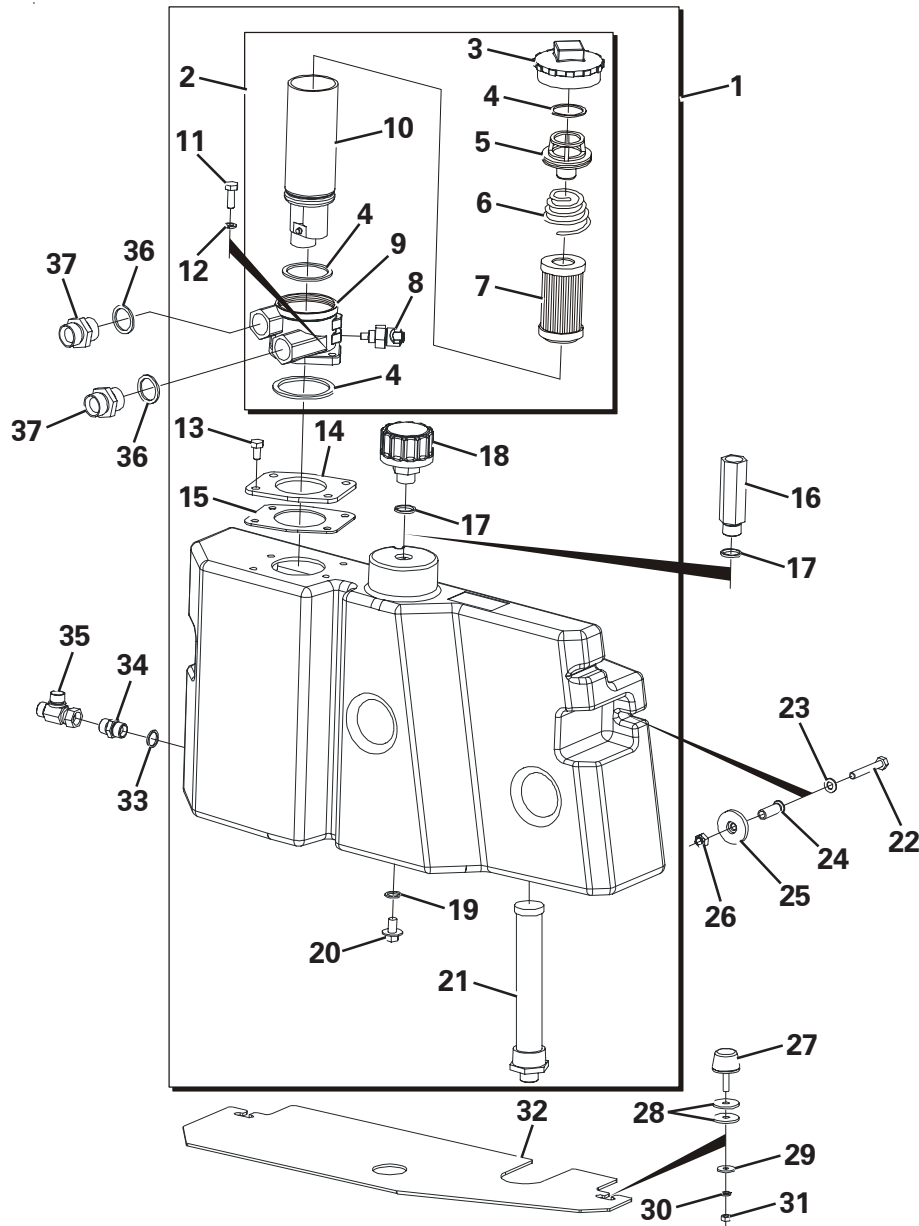
Engine Harness - Hydrostatic - Tier 2

**HYDRAULIC TANK ASSEMBLY**



Item	Part No.	Description	Qty	U/M
1	T100373	PLASTIC HYD TANK	1.0	EA
2	T52497	RETURN FILTER	1.0	EA
3	T52948	COVER	1.0	EA
4	T52954	SEAL KIT	1.0	EA
5	T52949	SEPERATION PLATE	1.0	EA
6	T52950	SPRING	1.0	EA
7	T52692	HYDRAULIC FILTER	1.0	EA
8	T52953	INDICATOR	1.0	EA
9	T52952	HEAD	1.0	EA
10	T52951	BOWL	1.0	EA
11	T52599	FIXING BOLT	2.0	EA
12	T13362	SPRING WASHER	2.0	EA
13	T52598	FIXING BOLT	2.0	EA
14	T52814	FILTER SEALING PLATE	1.0	EA
15	T52495	FILTER SEALING GASKET	1.0	EA
16	T101634	BREATHER EXTENSION FITTING	1.0	EA
17	T5594	DOWTY WASHER	1.0	EA
18	T52496	FILLER / BREATHER	1.0	EA
19	T52588	FIBRE WASHER	1.0	EA

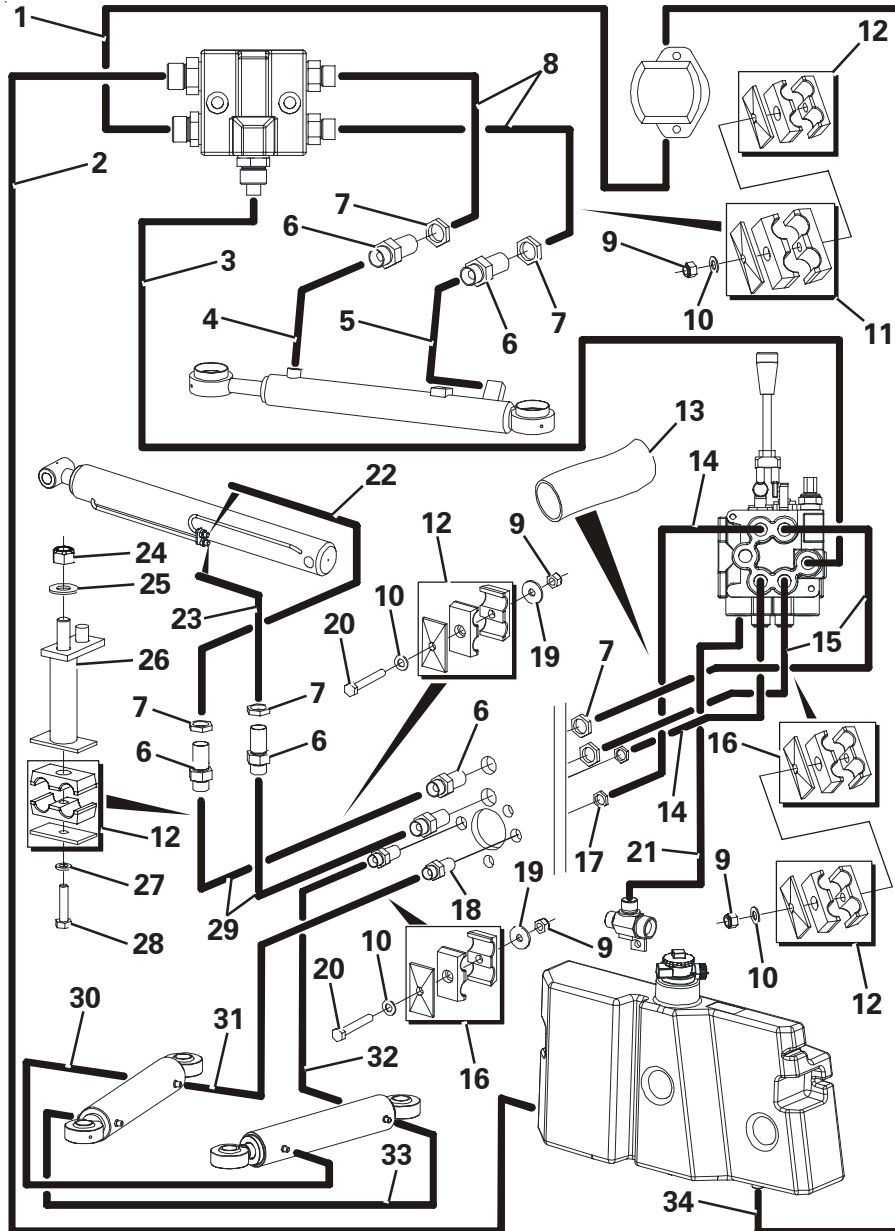
**HYDRAULIC TANK ASSEMBLY**



Item	Part No.	Description	Qty	U/M
20	T52282	DRAIN PLUG	1.0	EA
21	T101240	SUCTION STRAINER	1.0	EA
22	T17963	BOLT	2.0	EA
23	T10734	HEAVY DUTY WASHER	2.0	EA
24	T100372	TANK SPACER	2.0	EA
25	T100323	RUBBER BACKED WASHER	2.0	EA
26	T13064	PHILIDAS NUT	2.0	EA
27	T100214	RUBBER BUFFER	2.0	EA
28	T8128	HEAVY DUTY WASHER	4.0	EA
29	T9345	HEAVY DUTY WASHER	2.0	EA
30	T12972	SPRING WASHER	2.0	EA
31	T9775	NUT	2.0	EA
32	T101241	HYDRAULIC TANK GUARD	1.0	EA
33	T5596	DOWTY WASHER	1.0	EA
34	T13936	ADAPTOR	1.0	EA
35	T15532	TEE PIECE	1.0	EA
36	T6169	DOWTY WASHER	2.0	EA
37	T16972	ADAPTOR	2.0	EA

## HYDRAULIC CIRCUIT - CONTROLS

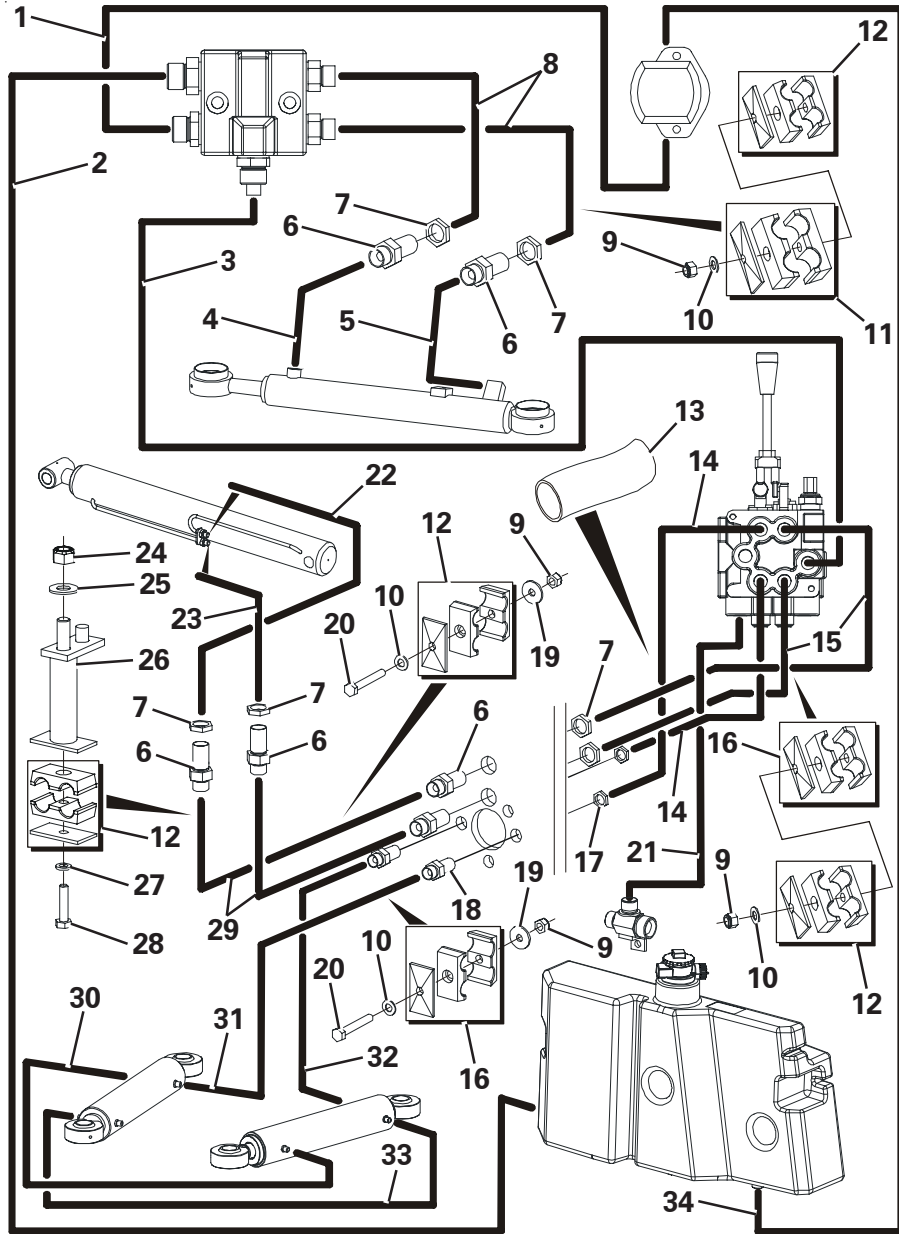
Item	Part No.	Description	Qty	U/M
1	T100705	HOSE	1.0	EA
2	T100706	HOSE	1.0	EA
3	T100707	HOSE	1.0	EA
4	T100729	HOSE	1.0	EA
5	T100728	HOSE	1.0	EA
6	T100392	ADAPTOR	6.0	EA
7	T52552	LOCKNUT	6.0	EA
8	T100708	HOSE	2.0	EA
9	T13457	NYLOC NUT	4.0	EA
10	T12973	WASHER	4.0	EA
11	T19114	PIPE CLAMP	1.0	EA
12	T100564	PIPE CLAMP	4.0	EA
13	T100801	HOSE SLEEVE	1.0	EA
14	T100710	HOSE	2.0	EA
15	T100709	HOSE	2.0	EA
16	T100565	PIPE CLAMP	2.0	EA
17	T52551	LOCKNUT	2.0	EA



Hydraulic Circuit - Hydrostatic Powerswivel - Tier 2

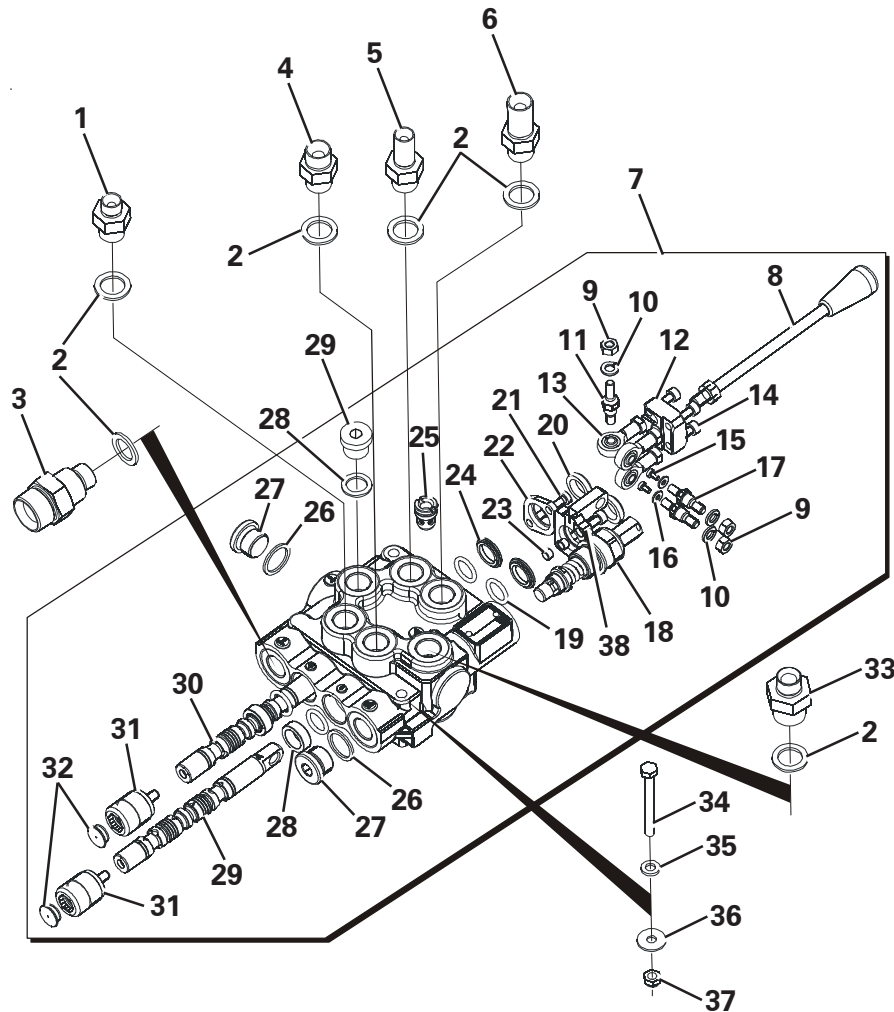
## HYDRAULIC CIRCUIT - CONTROLS

Item	Part No.	Description	Qty	U/M
18	T12483	ADAPTOR	2.0	EA
19	T9345	HEAVY DUTY WASHER	2.0	EA
20	T15326	BOLT	2.0	EA
21	T101984	HOSE	1.0	EA
22	T100724	HOSE	1.0	EA
23	T100725	HOSE	1.0	EA
24	T14283	PHILIDAS NUT	1.0	EA
25	T14748	HEAVY DUTY WASHER	1.0	EA
26	T100385	HOSE SUPPORT	1.0	EA
27	T12972	SPRING WASHER	1.0	EA
28	T14277	BOLT	1.0	EA
29	T100721	HOSE	2.0	EA
30	T100190	HOSE	1.0	EA
31	T100723	HOSE	1.0	EA
32	T100722	HOSE	1.0	EA
33	T100189	HOSE	1.0	EA
34	T100720	HOSE	1.0	EA



Hydraulic Circuit - Hydrostatic Powerswivel - Tier 2

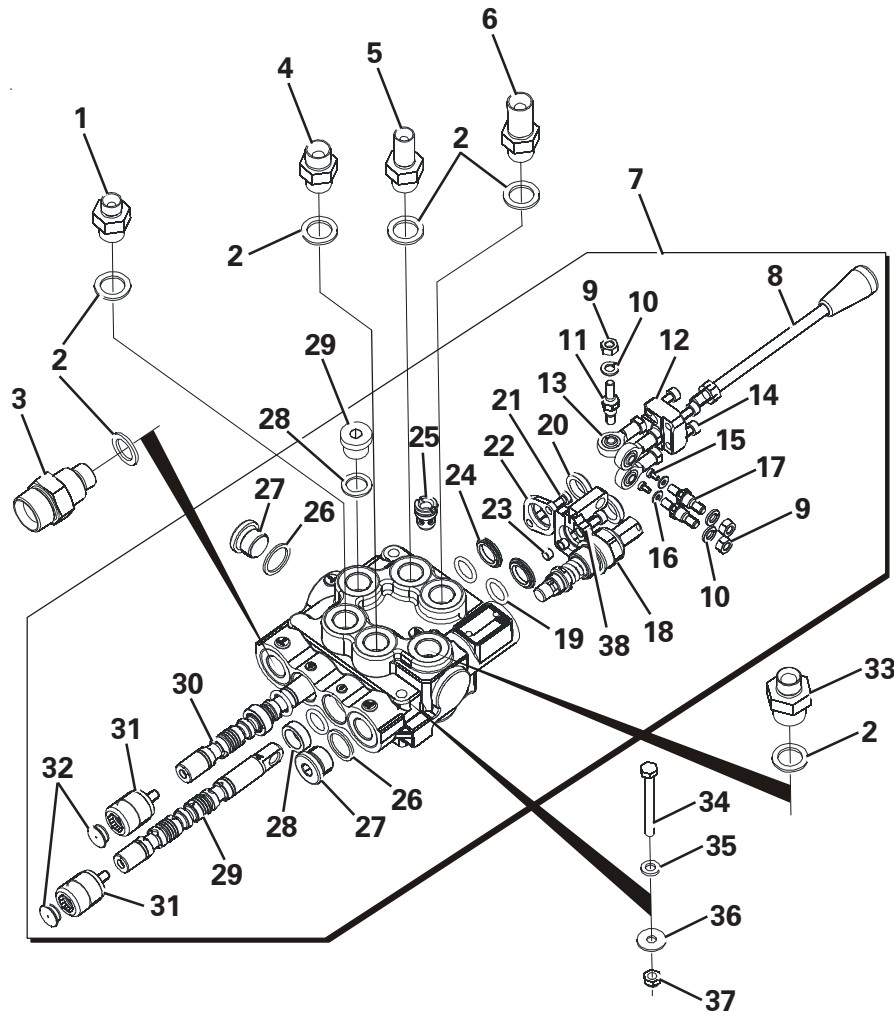
**TIPPING VALVE ASSEMBLY**



Item	Part No.	Description	Qty	U/M
1	T13888	ADAPTOR	1.0	EA
2	T5637	DOWTY WASHER	6.0	EA
3	T101324	ADAPTOR	1.0	EA
4	T13606	ADAPTOR	1.0	EA
5	T101243	ADAPTOR	1.0	EA
6	T100392	ADAPTOR	1.0	EA
7	T101115	TIPPING VALVE	1.0	EA
8	T53352	LEVER	1.0	EA
9	T53345	NUT	3.0	EA
10	T53346	SPRING WASHER	3.0	EA
11	T53347	SPOOL JOYSTICK	1.0	EA
12	T53350	PLATE JOYSTICK	1.0	EA
13	T53349	SWIVEL PIN	3.0	EA
14	T53351	SCREW	5.0	EA
15	T53343	SOCKET SCREW	2.0	EA
16	T53344	WASHER	2.0	EA
17	T53348	SPOOL JOYSTICK	2.0	EA
18	T52674	VALVE	1.0	EA
19	T53304	SEAL	4.0	EA

Tipping Valve Assembly - Powerswivel - Tier 2

**TIPPING VALVE ASSEMBLY**

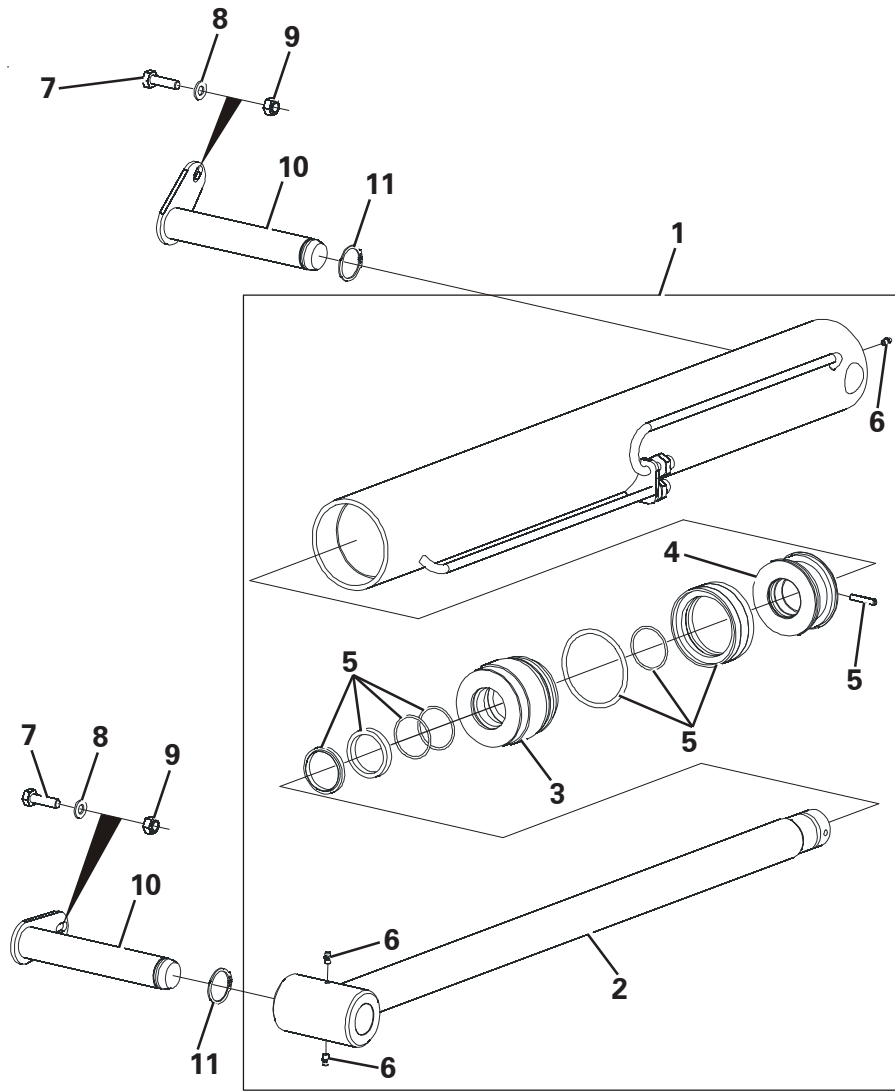


Item	Part No.	Description	Qty	U/M
20	T53342	SCRAPER	2.0	EA
21	T53339	ONE-SLOT SCREW	2.0	EA
22	T53338	FLANGED WASHER	1.0	EA
23	T53340	DOWEL BUSH	2.0	EA
24	T53306	FLANGED WASHER	2.0	EA
25	T53337	CHECK VALVE ASSEMBLY	1.0	EA
26	T53336	COPPER WASHER	3.0	EA
27	T53335	SCREW PLUG	3.0	EA
28	T53305	SPACER	2.0	EA
29	T53332	SPOOL	1.0	EA
30	T53334	SPOOL	1.0	EA
31	T53308	POSITIONER	2.0	EA
32	T53333	PLUG	2.0	EA
33	T11165	ADAPTOR	1.0	EA
34	T17823	BOLT	2.0	EA
35	T13911	WASHER	2.0	EA
36	T15830	HEAVY DUTY WASHER	2.0	EA
37	T16481	NYLOC NUT	2.0	EA
38	T53341	LEVER BASE	1.0	EA

Tipping Valve Assembly - Powerswivel - Tier 2

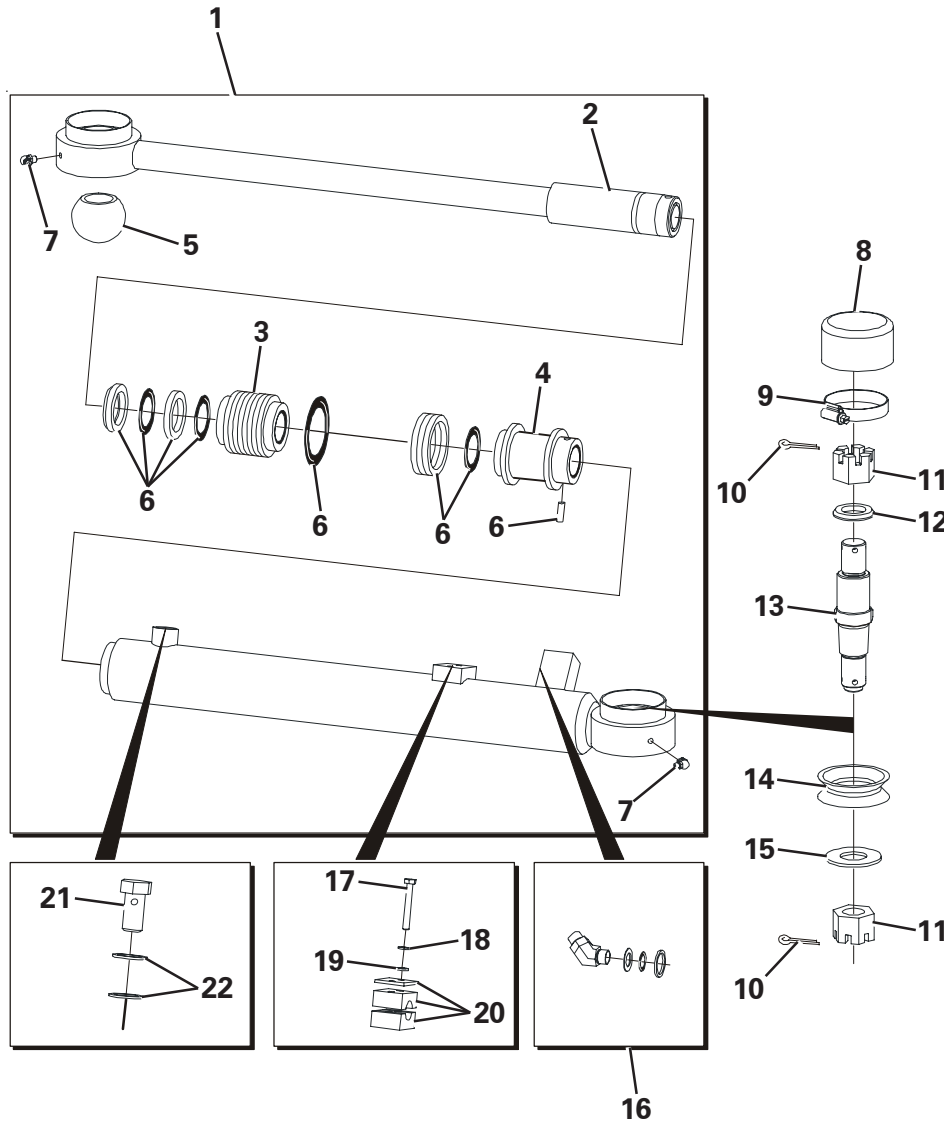
**TIPPING RAM ASSEMBLY**

Item	Part No.	Description	Qty	U/M
1*	T102136	TIPPING RAM	1.0	EA
2*	T53387	ROD	1.0	EA
3*	T53389	GLAND	1.0	EA
4*	T53390	PISTON HEAD	1.0	EA
5*	T53388	SEAL KIT	1.0	EA
6*	T20821	GREASE NIPPLE	3.0	EA
7	T16505	SET SCREW	2.0	EA
8	T10734	HEAVY DUTY WASHER	2.0	EA
9	T13064	PHILIDAS NUT	2.0	EA
10	T100089	TIPPING RAM PIN	2.0	EA
11	T100098	CIRCLIP	2.0	EA



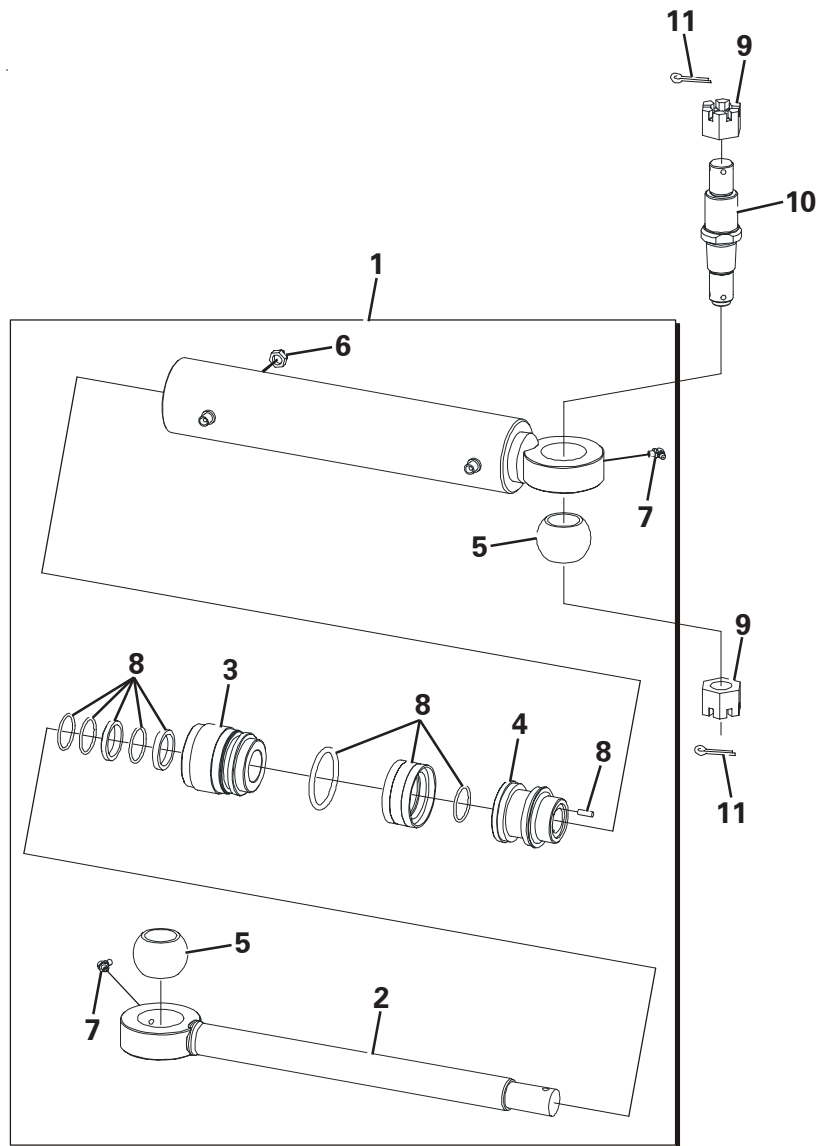
Tipping Ram - Powerswivel - Tier 2

## STEERING RAM ASSEMBLY



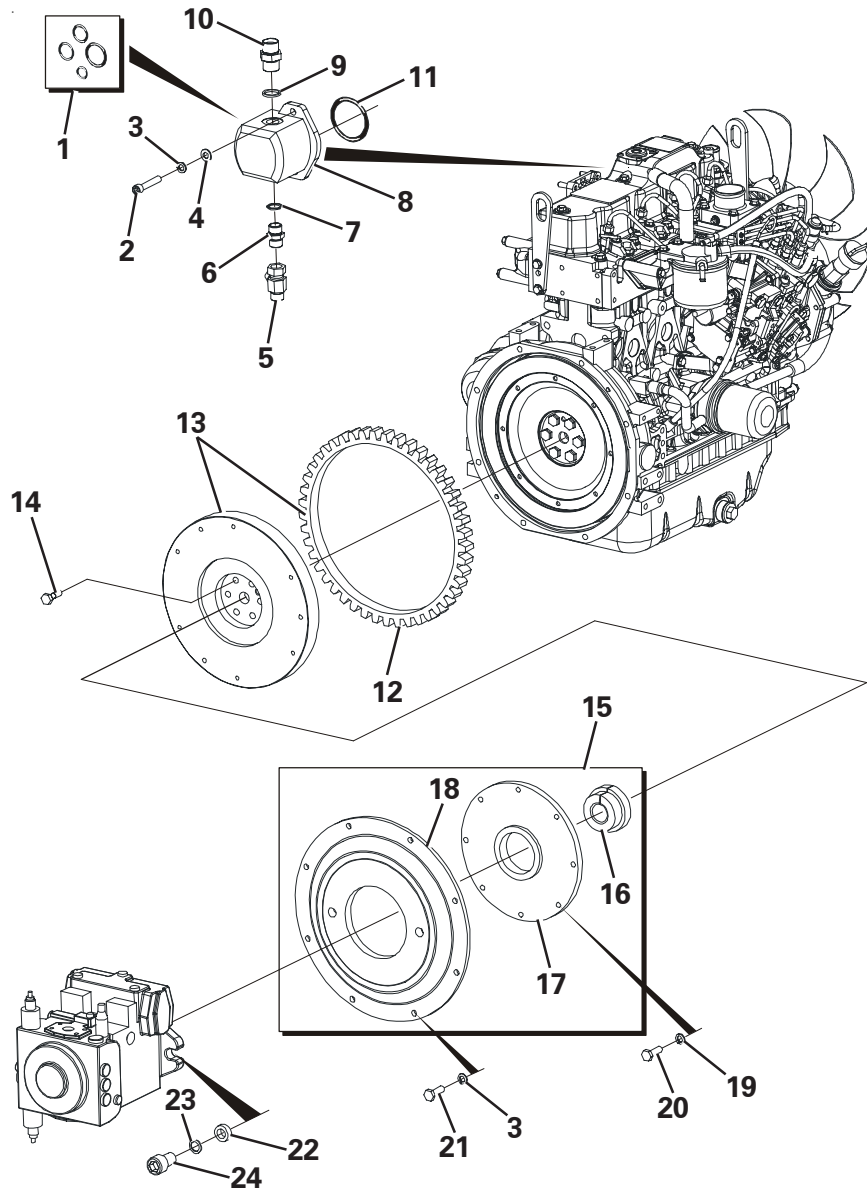
Item	Part No.	Description	Qty	U/M
1*	T102137	STEER RAM	1.0	EA
2*	T53378	ROD	1.0	EA
3*	T53381	GLAND	1.0	EA
4*	T53382	PISTON HEAD	1.0	EA
5*	T53379	SPHERICAL BEARING	2.0	EA
6*	T53380	SEAL KIT	1.0	EA
7*	T53406	GREASE NIPPLE	2.0	EA
8	T100652	RAM SEAL	2.0	EA
9	T7540	JUBILEE CLIP	2.0	EA
10	T6751	SPLIT PIN	4.0	EA
11	T100490	SLOTTED NUT	4.0	EA
12	T100777	PIN COLLAR	2.0	EA
13	T100483	RAM PIN	2.0	EA
14	T100653	RAM SEAL	2.0	EA
15	T6768	WASHER	2.0	EA
16	T100775	ELBOW	1.0	EA
17	T17155	BOLT	2.0	EA
18	T14837	SPRING WASHER	2.0	EA
19	T13911	WASHER	2.0	EA
20	T100830	PIPE CLAMP	1.0	EA
21	T52793	BANJO BOLT	1.0	EA
22	T52794	WASHER	2.0	EA

**SLEW RAM ASSEMBLY**



Item	Part No.	Description	Qty	U/M
1*	T102048	SLEW RAM	2.0	EA
2*	T53383	ROD	1.0	EA
3*	T53385	GLAND	1.0	EA
4*	T53386	PISTON HEAD	1.0	EA
5*	T53379	SPHERICAL BEARING	2.0	EA
6	T17556	BLANKING CAP	2.0	EA
7*	T53406	GREASE NIPPLE	2.0	EA
8*	T53384	SEAL KIT	1.0	EA
9	T100490	SLOTTED NUT	8.0	EA
10	T100483	RAM PIN	4.0	EA
11	T6751	SPLIT PIN	8.0	EA

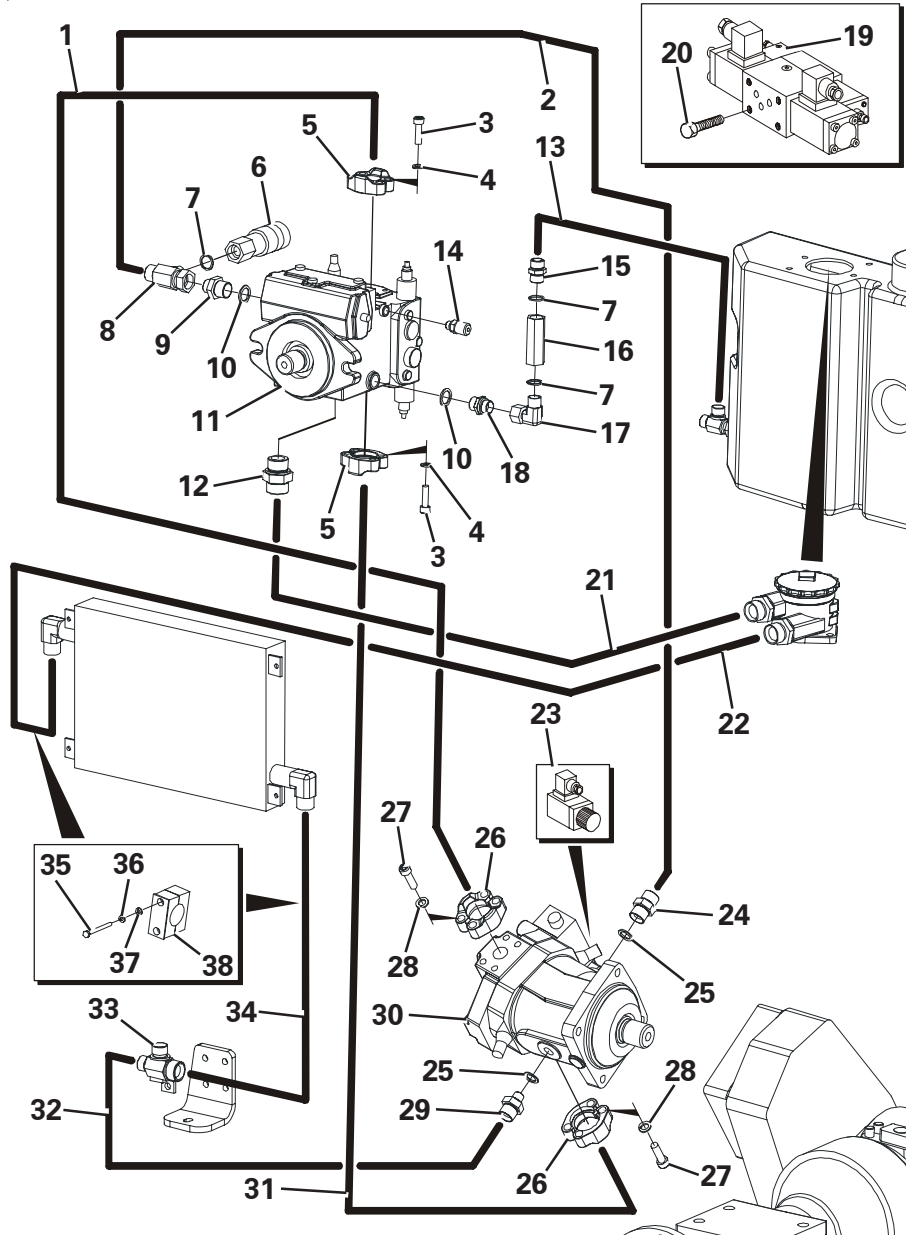
## TRANSMISSION DRIVE & HYD. PUMP



Item	Part No.	Description	Qty	U/M
1	T51601	SEAL KIT	1.0	EA
2	T17969	SOCKET HEAD CAP SCREW	2.0	EA
3	T13362	SPRING WASHER	10.0	EA
4	T10734	HEAVY DUTY WASHER	2.0	EA
5	T18008	PRESSURE TEST POINT ADAPTOR	1.0	EA
6	T13936	ADAPTOR	1.0	EA
7	T5596	DOWTY WASHER	1.0	EA
8	T101976	GEAR PUMP	1.0	EA
9	T5594	DOWTY WASHER	1.0	EA
10	T8014	ADAPTOR	1.0	EA
11	T52891	O RING	1.0	EA
12	T52837	RING GEAR	1.0	EA
13	T52836	FLYWHEEL ASSEMBLY	1.0	EA
14	T52838	BOLT	6.0	EA
15	T101117	PUMP COUPLING	1.0	EA
16	T53165	FLANGE	1.0	EA
17	T53166	HUB	1.0	EA
18	T53167	MOUNTING PLATE	1.0	EA
19	T12972	SPRING WASHER	8.0	EA
20	T14152	BOLT	8.0	EA
21	T7466	SET SCREW	8.0	EA
22	T100794	WASHER	2.0	EA
23	T20699	SCHNORR WASHER	2.0	EA
24	T100795	SOCKET HEAD CAP SCREW	2.0	EA

## HYDROSTATIC PUMP & MOTOR

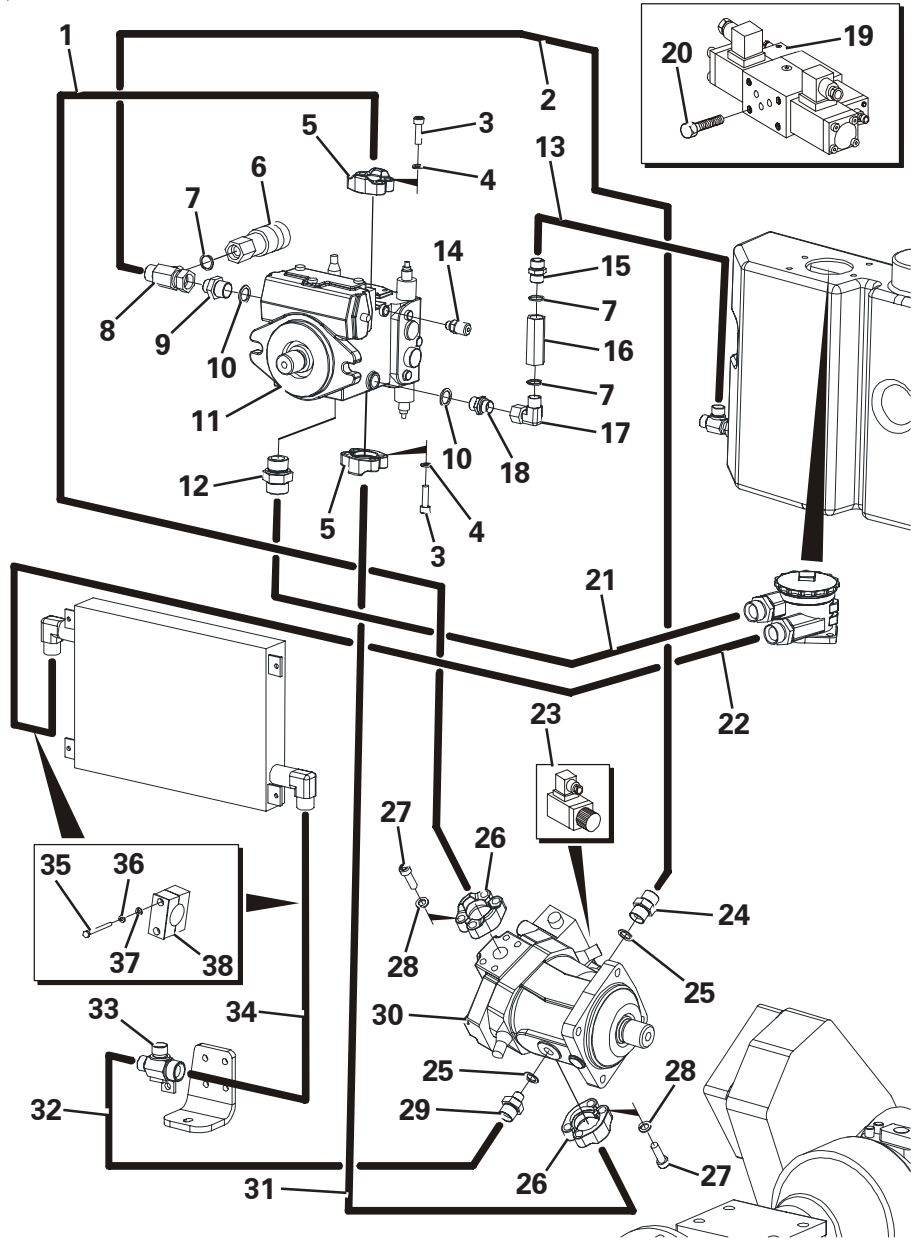
Item	Part No.	Description	Qty	U/M
1	T100713	HOSE	1.0	EA
2	T100711	HOSE	1.0	EA
3	T17842	SOCKET HEAD CAP SCREW	8.0	EA
4	T13362	SPRING WASHER	8.0	EA
5	T17760	SPLIT FLANGE CLAMPS	2.0	EA
6	T17782	FEMALE COUPLING	1.0	EA
7	T5596	DOWTY WASHER	3.0	EA
8	T17481	TEE PIECE	1.0	EA
9	T17724	ADAPTOR	1.0	EA
10	T17769	DOWTY WASHER	2.0	EA
11	T100339	TRANSMISSION PUMP	1.0	EA
12	T100799	ADAPTOR	1.0	EA
13	T100717	HOSE	1.0	EA
14	T100681	HYDRAULIC GAUGE TEST POINT	1.0	EA
15	T13936	ADAPTOR	1.0	EA
16	T100683	CHECK VALVE	1.0	EA
17	T100771	ELBOW	1.0	EA
18	T20441	ADAPTOR	1.0	EA
19	T52910	DIRECTIONAL VALVE	1.0	EA



Hydrostatic Pump and Motor - Tier 2

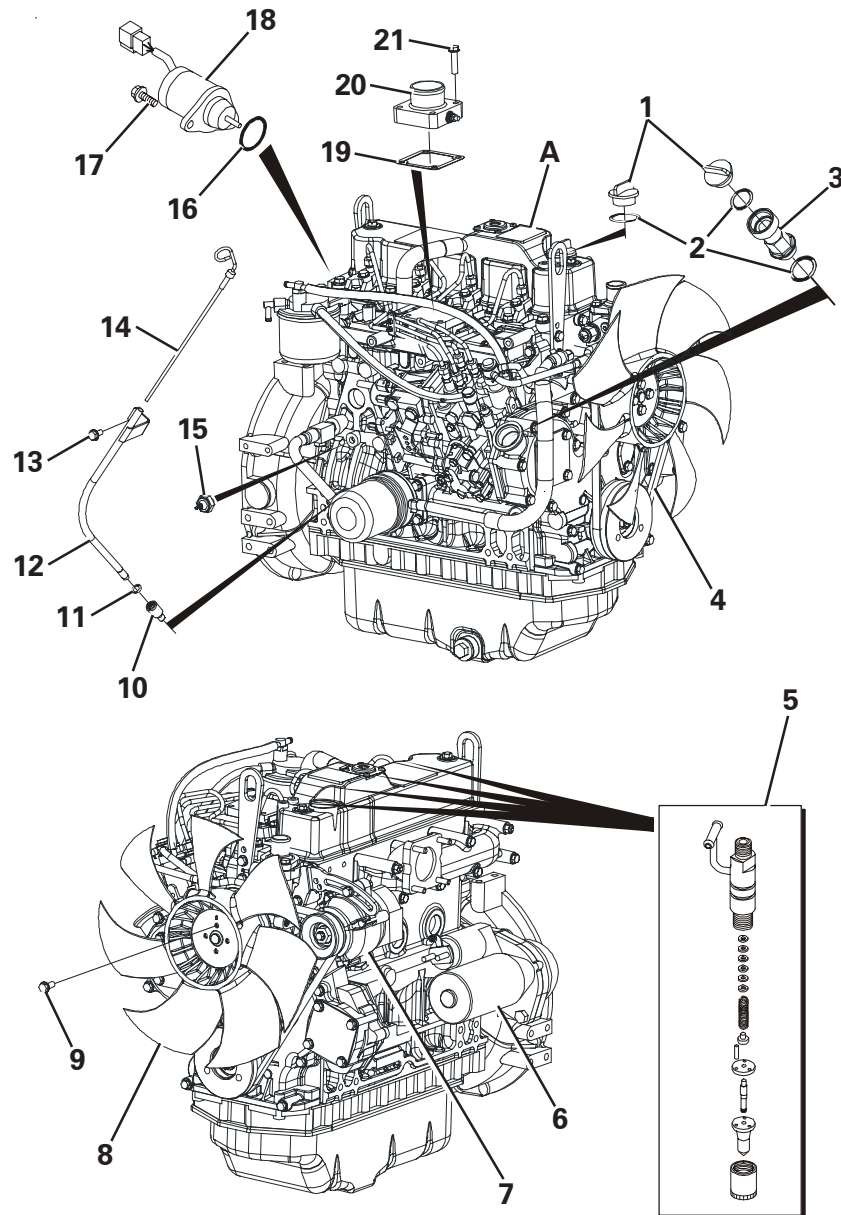
**HYDROSTATIC PUMP & MOTOR**

Item	Part No.	Description	Qty	U/M
20	T52911	SOCKET HEAD SCREW	4.0	EA
21	T100716	SUCTION HOSE	1.0	EA
22	T100715	HOSE	1.0	EA
23	T52912	SOLENOID	1.0	EA
24	T100770	ADAPTOR	1.0	EA
25	T100797	DOWTY WASHER	2.0	EA
26	T17761	SPLIT FLANGE CLAMPS	2.0	EA
27	T16673	SOCKET HEAD CAP SCREW	8.0	EA
28	T14080	SPRING WASHER	8.0	EA
29	T100785	CHECK VALVE	1.0	EA
30	T100340	HYD MOTOR	1.0	EA
31	T100714	HOSE	1.0	EA
32	T100712	HOSE	1.0	EA
33	T100734	SPECIAL TEE	1.0	EA
34	T100719	HOSE	1.0	EA
35	T17920	BOLT	4.0	EA
36	T14837	SPRING WASHER	4.0	EA
37	T13911	WASHER	4.0	EA
38	T100755	SINGLE PIPE CLAMP	2.0	PR



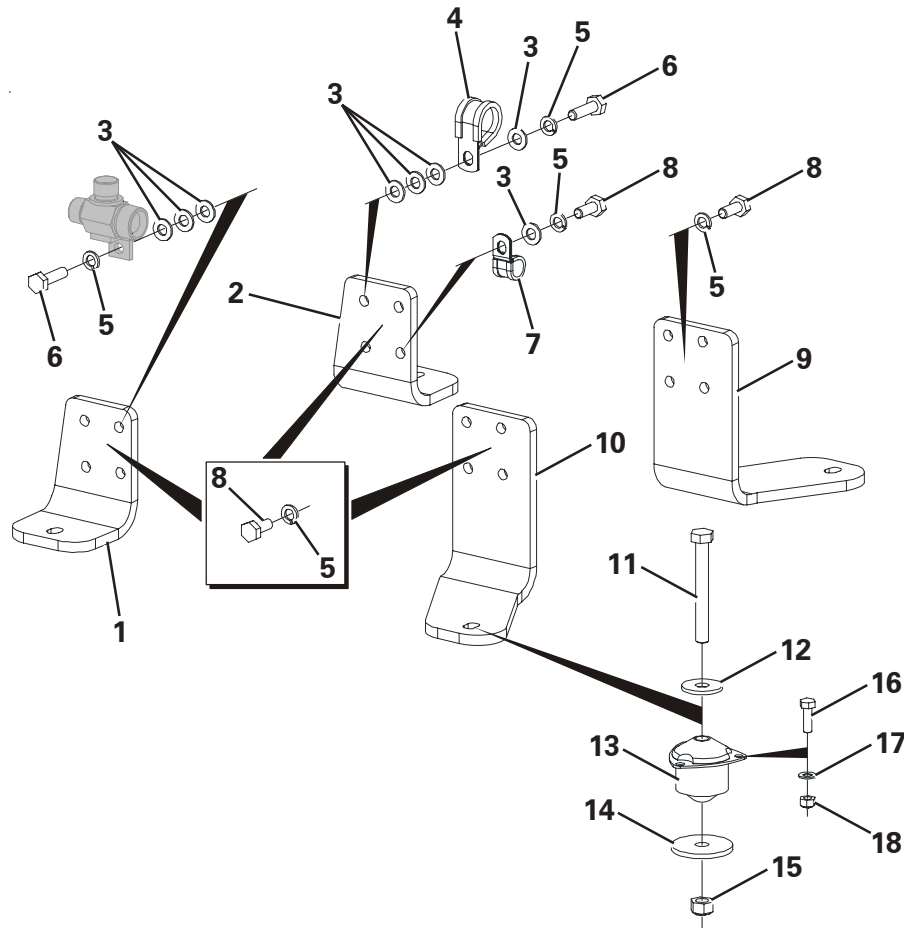
Hydrostatic Pump and Motor - Tier 2

## ENGINE - ACCESSORIES



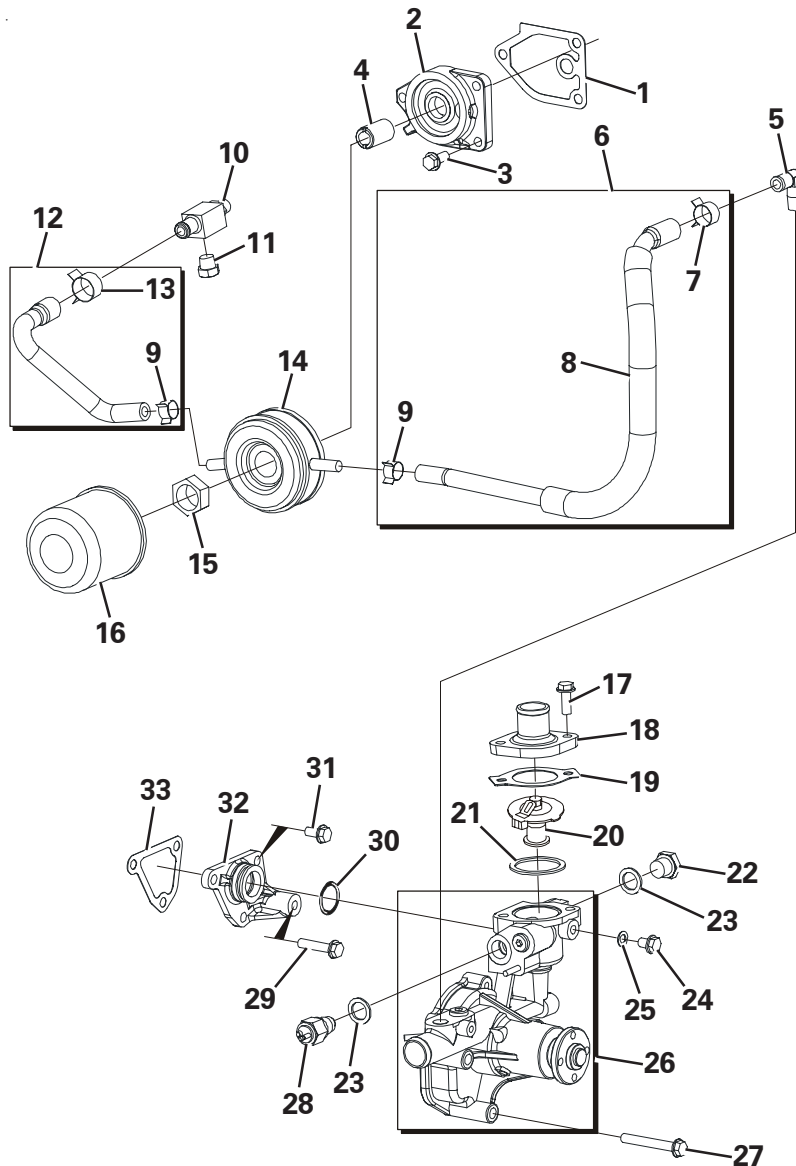
Item	Part No.	Description	Qty	U/M
A*	T102296	ENGINE	1.0	EA
1	T52816	CAP	2.0	EA
2	T52819	O RING	3.0	EA
3	T52818	PIPE	1.0	EA
4	T53282	V/BELT	1.0	EA
5	T53322	VALVE ASSY	1.0	EA
6	T53330	STARTER	1.0	EA
7	T53263	GENERATOR	1.0	EA
8	T53320	FAN	1.0	EA
9	T53321	BOLT	4.0	EA
10	T52830	GUIDE	1.0	EA
11	T52829	O RING	1.0	EA
12	T53316	GUIDE DIPSTICK	1.0	EA
13	T52842	BOLT	1.0	EA
14	T53315	DIPSTICK LUB OIL	1.0	EA
15	T52832	OIL PRESSURE SWITCH	1.0	EA
16	T52834	O RING	1.0	EA
17	T52835	BOLT	2.0	EA
18	T52833	STOP SOLENOID	1.0	EA
19	T52824	GASKET	1.0	EA
20	T52823	HEATER	1.0	EA
21	T52825	BOLT	4.0	EA

**ENGINE MOUNTINGS**



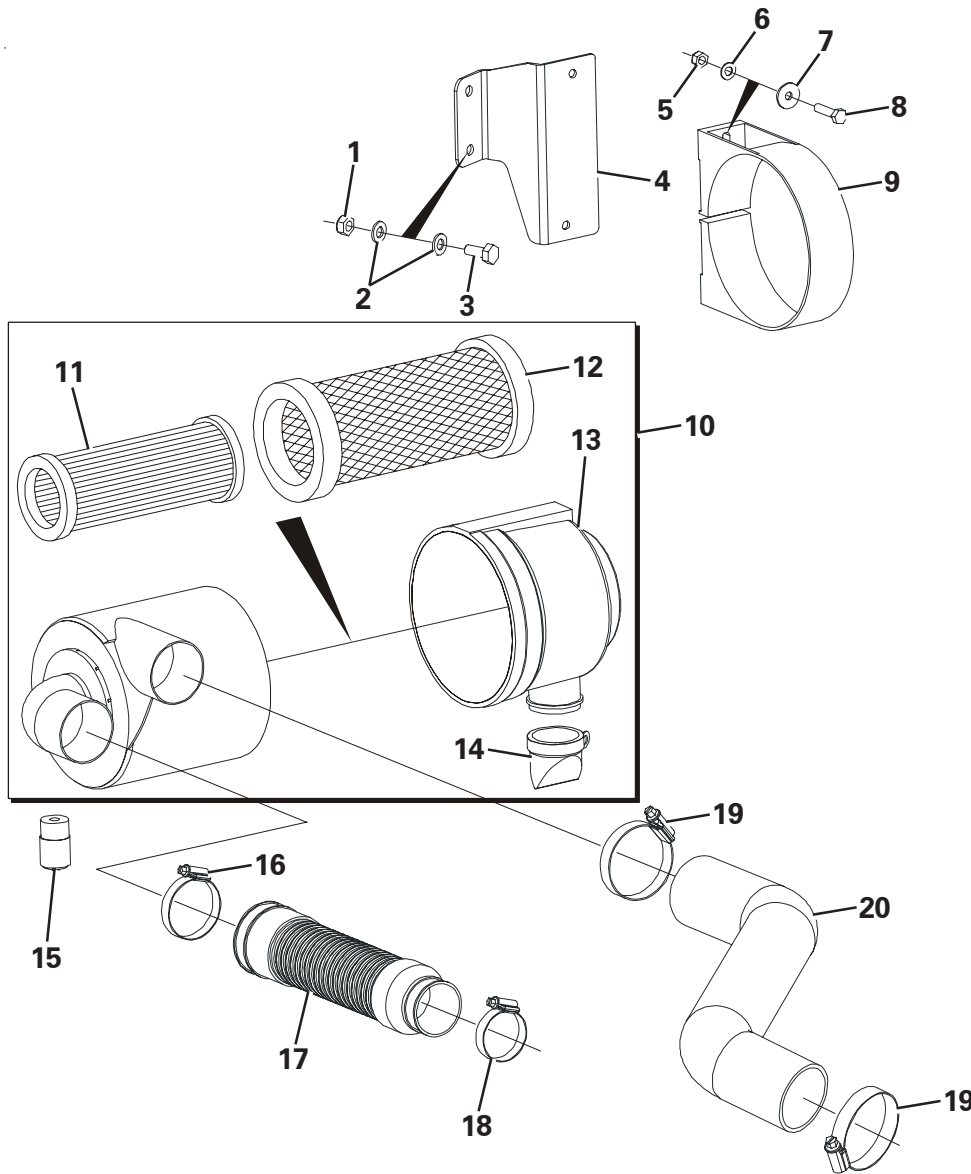
Item	Part No.	Description	Qty	U/M
1	T102124	FRONT ENGINE MOUNT LH	1.0	EA
2	T100371	FRONT ENGINE MOUNT RH	1.0	EA
3	T10734	HEAVY DUTY WASHER	8.0	EA
4	T9914	P CLIP	1.0	EA
5	T13362	SPRING WASHER	16.0	EA
6	T16505	SET SCREW	2.0	EA
7	T11514	P CLIP	1.0	EA
8	T7466	SET SCREW	14.0	EA
9	T100362	REAR ENGINE MOUNT RH	1.0	EA
10	T100357	REAR ENGINE MOUNT LH	1.0	EA
11	T14819	BOLT	4.0	EA
12	T6769	HEAVY DUTY WASHER	4.0	EA
13	T14564	ENGINE MOUNT	4.0	EA
14	T9046	HEAVY DUTY WASHER	4.0	EA
15	T14283	PHILIDAS NUT	4.0	EA
16	T12694	SET SCREW	12.0	EA
17	T12973	WASHER	12.0	EA
18	T19007	PHILIDAS NUT	12.0	EA

**ENGINE OIL COOLER**



Item	Part No.	Description	Qty	U/M
1	T53046	GASKET	1.0	EA
2	T53317	BRACKET FILTER	1.0	EA
3	T53043	BOLT	3.0	EA
4	T53355	STUD	1.0	EA
5	T52851	ELBOW	1.0	EA
6	T53359	PIPE COOLER OUT	1.0	EA
7	T53362	CLAMP	1.0	EA
8	T53360	PROTECTOR PIPE	1.0	EA
9	T53361	CLAMP	2.0	EA
10	T53356	JOINT	1.0	EA
11	T52855	DRAIN PLUG	1.0	EA
12	T53357	PIPE COOLER IN	1.0	EA
13	T53358	CLAMP	1.0	EA
14	T53353	OIL COOLER ASSEMBLY	1.0	EA
15	T53354	NUT	1.0	EA
16	T53281	OIL FILTER	1.0	EA
17	T52843	BOLT	2.0	EA
18	T52844	THERMOSTAT COVER	1.0	EA
19	T52845	GASKET	1.0	EA
20	T53366	THERMOSTAT	1.0	EA
21	T52847	GASKET	1.0	EA
22	T52873	PLUG	1.0	EA
23	T52872	GASKET	2.0	EA
24	T53365	BOLT	1.0	EA
25	T53367	GASKET	1.0	EA
26	T53363	WATER PUMP ASSEMBLY	1.0	EA
27	T52850	BOLT	3.0	EA
28	T52831	WATER TEMP SENDER	1.0	EA
29	T53368	BOLT	1.0	EA
30	T52841	O RING	1.0	EA
31	T52842	BOLT	3.0	EA
32	T53364	JOINT	1.0	EA
33	T52839	GASKET	1.0	EA

**AIR CLEANER ASSEMBLY**

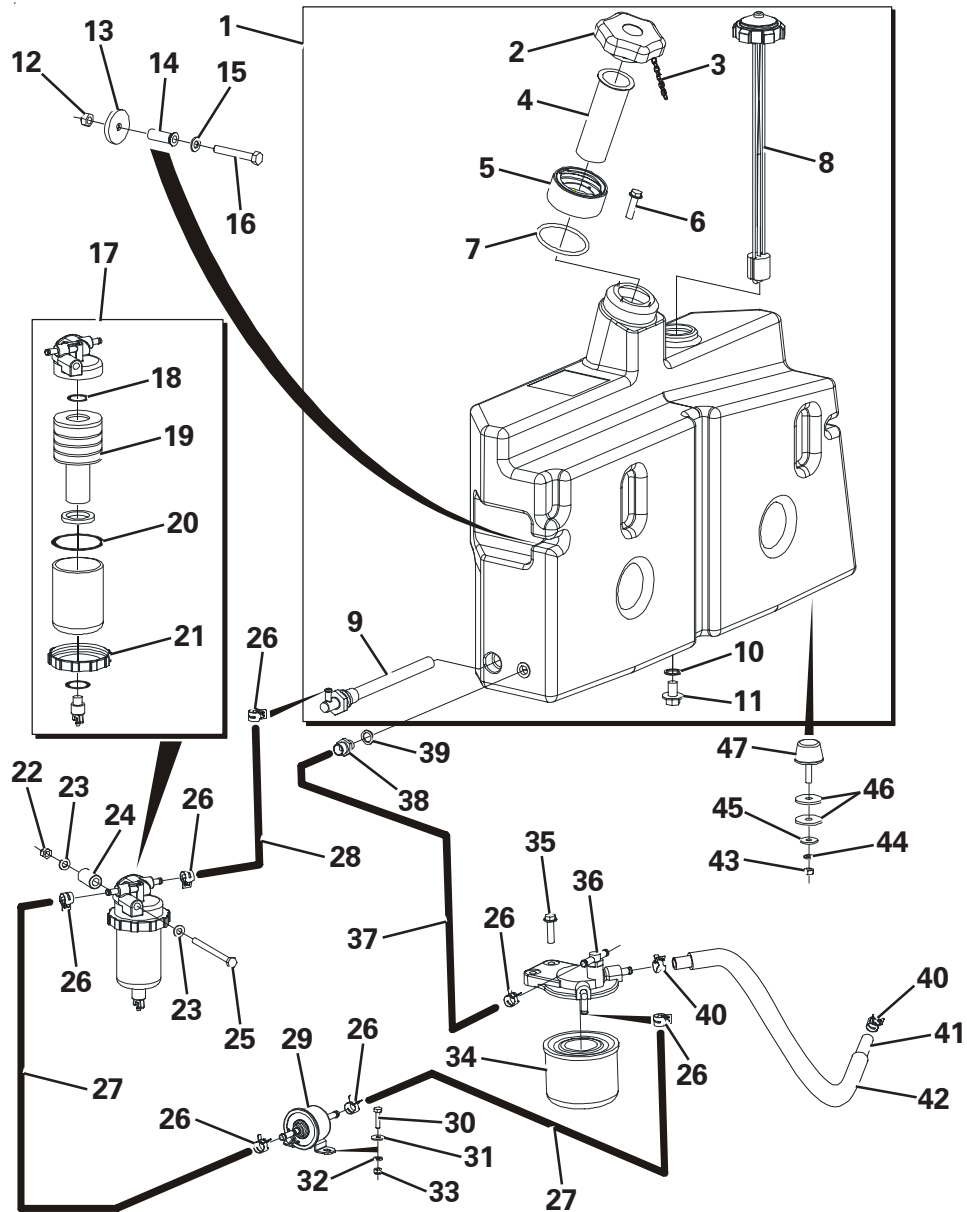


Item	Part No.	Description	Qty	U/M
1	T13064	PHILIDAS NUT	2.0	EA
2	T15819	WASHER	4.0	EA
3	T7466	SET SCREW	2.0	EA
4	T101798	MOUNTING BRACKET	1.0	EA
5	T13457	NYLOC NUT	2.0	EA
6	T12973	WASHER	2.0	EA
7	T9345	HEAVY DUTY WASHER	2.0	EA
8	T14277	BOLT	2.0	EA
9	T100478	AIR CLEANER MOUNTING BAND	1.0	EA
10	T100234	AIR CLEANER	1.0	EA
11	T52648	SAFETY ELEMENT	1.0	EA
12	T52647	MAIN ELEMENT	1.0	EA
13	T52649	DUST COVER	1.0	EA
14	T51772	VAC VALVE	1.0	EA
15	T100282	RESTRICTION INDICATOR	1.0	EA
16	T7540	JUBILEE CLIP	1.0	EA
17	T101816	FLEXIBLE AIR CLEANER HOSE	1.0	EA
18	T8549	JUBILEE CLIP	1.0	EA
19	T7669	JUBILEE CLIP	2.0	EA
20	T101799	AIR CLEANER HOSE	1.0	EA

Air Cleaner Assembly - Tier 2

## FUEL TANK ASSEMBLY

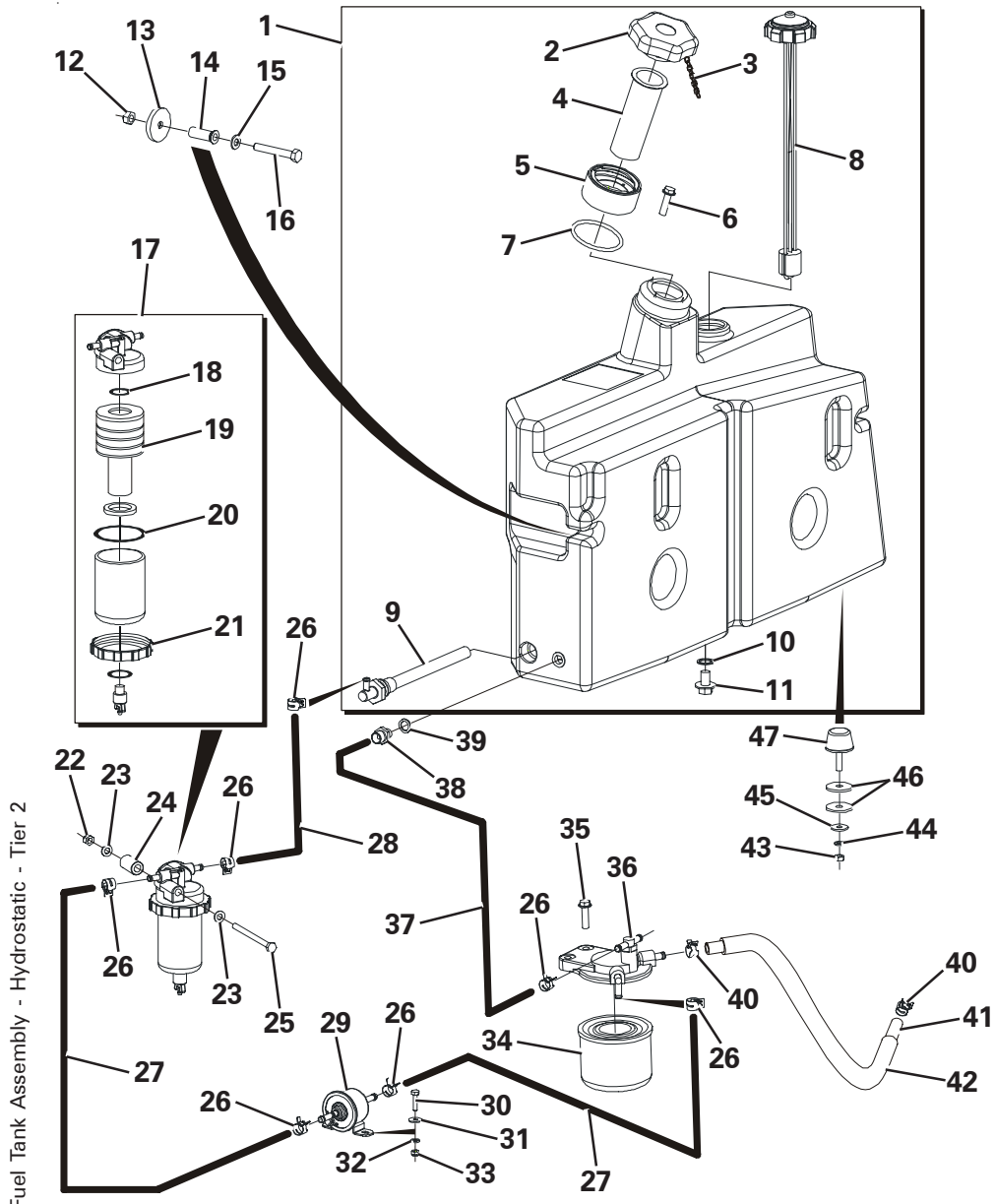
Item	Part No.	Description	Qty	U/M
1	T101962	FUEL TANK ASSY	1.0	EA
2	T52283	FUEL FILLER CAP	1.0	EA
3	T52437	FILLER CAP CHAIN	1.0	EA
4	T52284	STRAINER	1.0	EA
5	T52543	FILLER CAP COLLAR	1.0	EA
6	T52590	SCREW	4.0	EA
7	T52589	O RING	1.0	EA
8	T52498	LEVEL GAUGE	1.0	EA
9	T53205	FUEL RETURN ELBOW	1.0	EA
10	T52588	FIBRE WASHER	1.0	EA
11	T52282	1/2" BSP DRAIN PLUG	1.0	EA
12	T13064	PHILIDAS NUT	2.0	EA
13	T100323	RUBBER BACKED WASHER	2.0	EA
14	T100372	TANK SPACER	2.0	EA
15	T10734	HEAVY DUTY WASHER	2.0	EA
16	T17963	BOLT	2.0	EA
17	T53328	SEPERATOR ASSEMBLY	1.0	EA
18	T52901	O RING	1.0	EA
19	T53329	ELEMENT	1.0	EA
20	T52899	O RING	1.0	EA
21	T52897	RING	1.0	EA
22	T13457	NYLOC NUT	1.0	EA
23	T12973	WASHER	2.0	EA
24	T100935	SPACER TUBE	1.0	EA



Fuel Tank Assembly - Hydrostatic - Tier 2

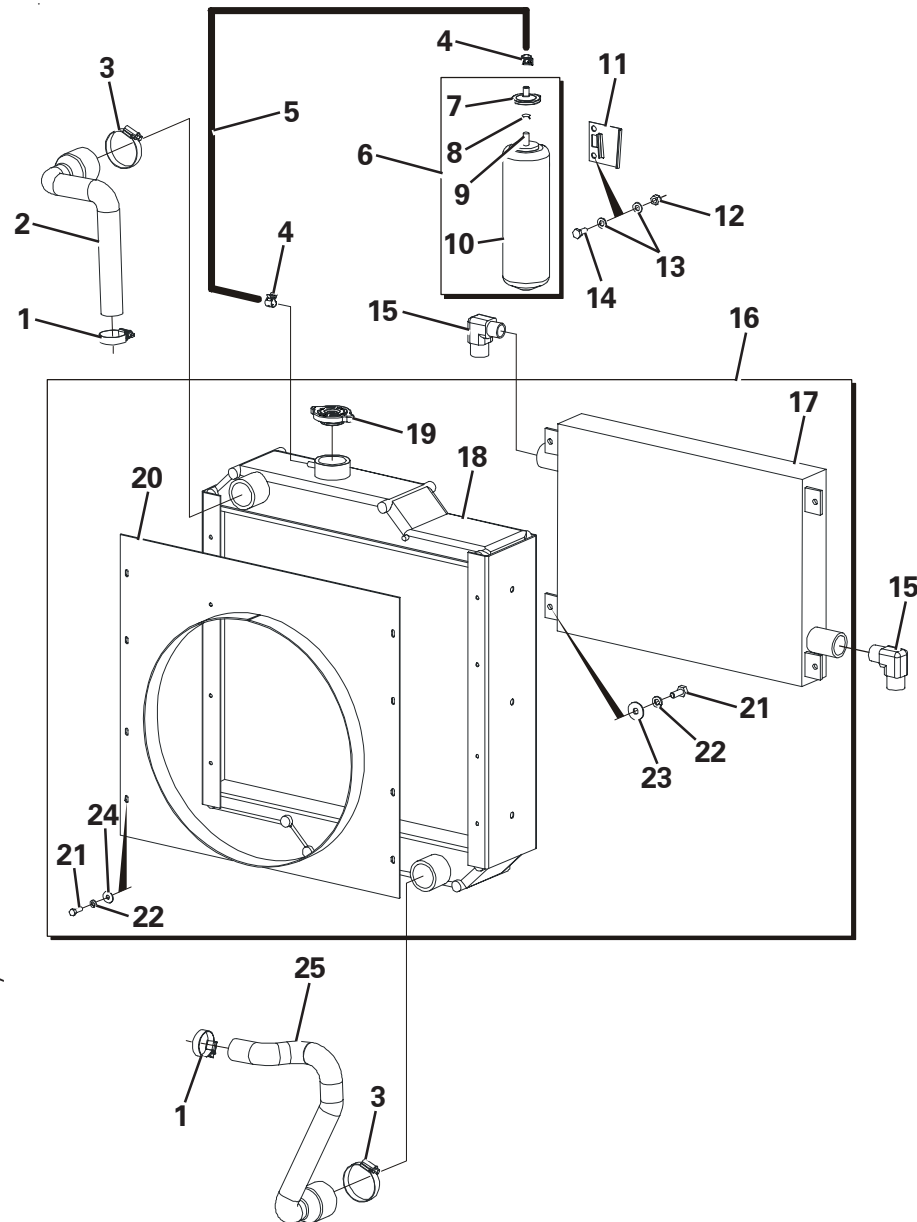
## FUEL TANK ASSEMBLY

Item	Part No.	Description	Qty	U/M
25	T15658	BOLT	1.0	EA
26	T100421	SPRING BAND CLAMP	7.0	EA
27	T101819	FUEL HOSE	2.0	EA
28	T101818	FUEL HOSE	1.0	EA
29	T53230	PUMP ASSEMBLY	1.0	EA
30	T16476	SET SCREW	2.0	EA
31	T15830	HEAVY DUTY WASHER	2.0	EA
32	T13911	WASHER	2.0	EA
33	T16481	NYLOC NUT	2.0	EA
34	T53277	FUEL FILTER	1.0	EA
35	T53324	BOLT	2.0	EA
36	T53323	BRACKET FILTER	1.0	EA
37	T101821	FUEL HOSE	1.0	EA
38	T12118	ADAPTOR	1.0	EA
39	T10940	DOWTY WASHER	1.0	EA
40	T52882	CLAMP	2.0	EA
41	T52881	PIPE	1.0	EA
42	T53325	PROTECTOR FUEL PIPE	1.0	EA
43	T9775	NUT	2.0	EA
44	T12972	SPRING WASHER	2.0	EA
45	T9345	HEAVY DUTY WASHER	2.0	EA
46	T8128	HEAVY DUTY WASHER	4.0	EA
47	T100214	RUBBER BUFFER	2.0	EA



Fuel Tank Assembly - Hydrostatic - Tier 2

## RADIATOR & OIL COOLER

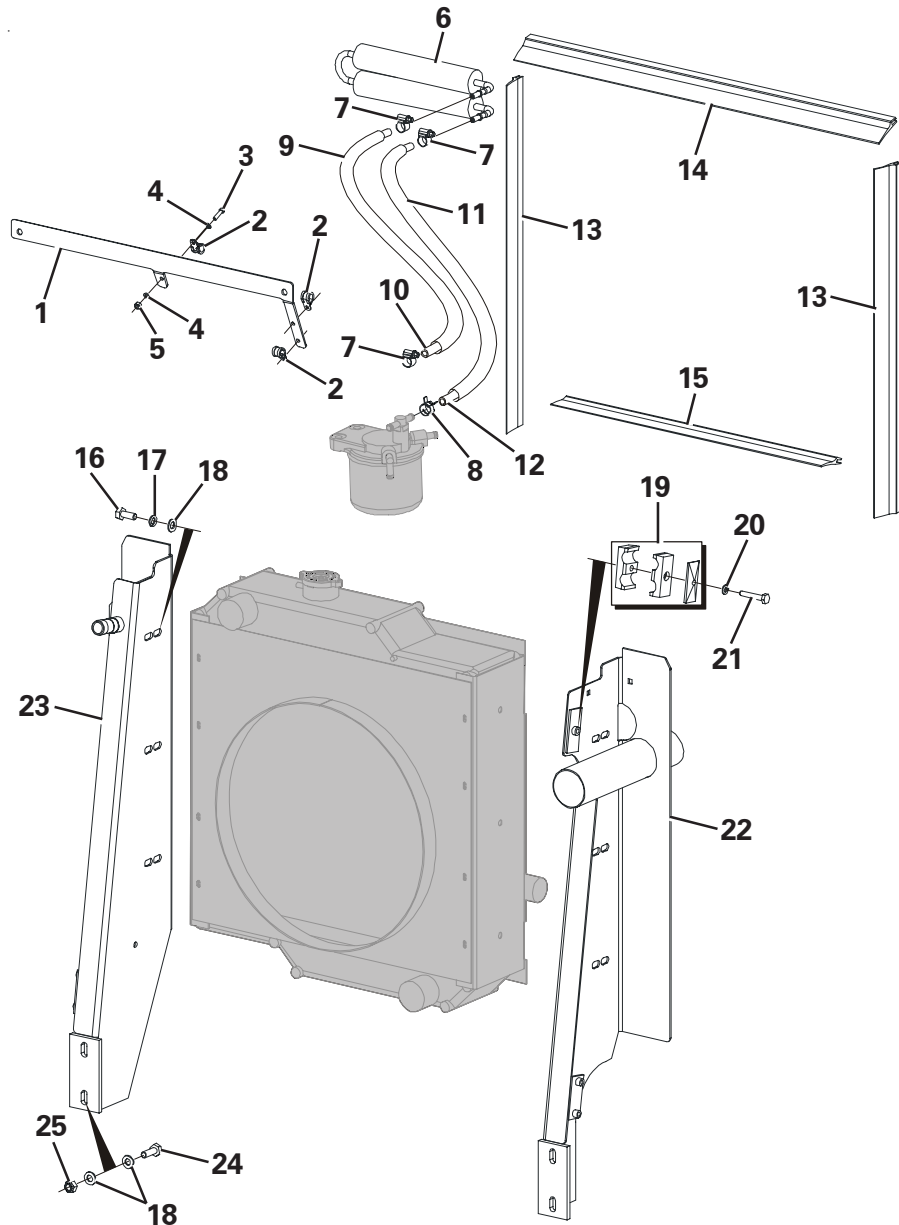


Item	Part No.	Description	Qty	U/M
1	T6693	JUBILEE CLIP	2.0	EA
2	T100618	RADIATOR HOSE	1.0	EA
3	T7872	JUBILEE CLIP	2.0	EA
4	T100421	SPRING BAND CLAMP	2.0	EA
5	T100748	HOSE	1.0	EA
6	T52800	TANK ASSEMBLY	1.0	EA
7	T52802	CAP	1.0	EA
8	T52803	CLAMP	1.0	EA
9	T52804	PIPE	1.0	EA
10	T52801	TANK	1.0	EA
11	T52805	BRACKET SUB-TANK	1.0	EA
12	T13457	NYLOC NUT	2.0	EA
13	T12973	WASHER	4.0	EA
14	T7465	SET SCREW	2.0	EA
15	T100774	ELBOW	2.0	EA
16	T101981	RADIATOR & OIL COOLER	1.0	EA
17	T101366	OIL COOLER	1.0	EA
18	T102033	RADIATOR	1.0	EA
19	T53207	RADIATOR FILLER CAP	1.0	EA
20	T101800	RADIATOR COWL	1.0	EA
21	T10917	SET SCREW	12.0	EA
22	T14837	SPRING WASHER	12.0	EA
23	T15830	HEAVY DUTY WASHER	4.0	EA
24	T13911	WASHER	8.0	EA
25	T101964	RADIATOR HOSE (BOTTOM)	1.0	EA

Radiator & Oil Cooler - Hydrostatic - Tier 2

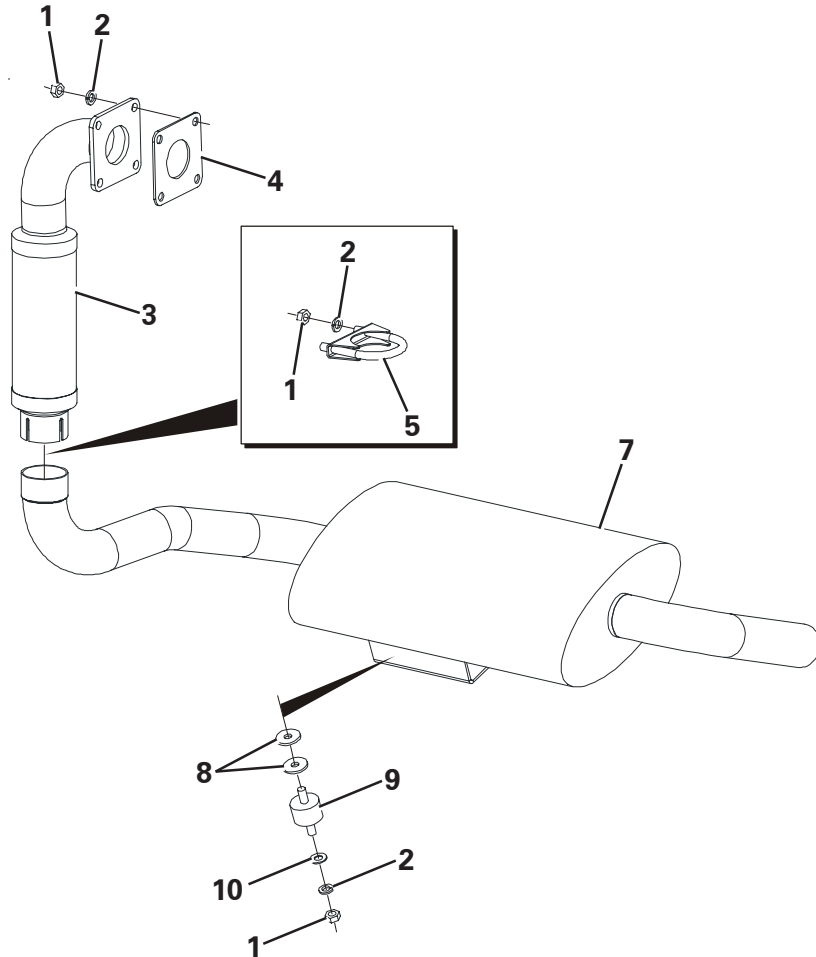
## RAD. SEALS, FIXINGS & FUEL COOLER

Item	Part No.	Description	Qty	U/M
1	T102198	U-BEND COOLER MTG PLATE	1.0	EA
2	T101282	P CLIP	3.0	EA
3	T16610	CHEESE HEAD SCREW	3.0	EA
4	T16612	WASHER	6.0	EA
5	T16613	NYLOC NUT	3.0	EA
6	T102197	U-BEND FUEL COOLER	1.0	EA
7	T11459	JUBILEE CLIP	3.0	EA
8	T100421	SPRING BAND CLAMP	1.0	EA
9	T102175	PLASTIC CONDUIT	1.0	EA
10	T102203	FUEL HOSE	1.0	EA
11	T102204	PLASTIC CONDUIT	1.0	EA
12	T101881	FUEL HOSE	1.0	EA
13	T100813	RADIATOR SEAL (SIDE)	2.0	EA
14	T101804	RADIATOR SEAL (TOP)	1.0	EA
15	T100811	RADIATOR SEAL (BOTTOM)	1.0	EA
16	T7466	SET SCREW	6.0	EA
17	T13362	SPRING WASHER	6.0	EA
18	T10734	HEAVY DUTY WASHER	14.0	EA
19	T101389	PIPE CLAMP	1.0	EA
20	T12972	SPRING WASHER	1.0	EA
21	T12823	BOLT	1.0	EA
22	T102201	RADIATOR MOUNT LH	1.0	EA
23	T102039	RADIATOR MOUNT RH	1.0	EA
24	T20618	SET SCREW	4.0	EA
25	T13064	PHILIDAS NUT	4.0	EA



Radiator Seals, Fixings & Fuel Cooler - Phase 2 - Tier 2

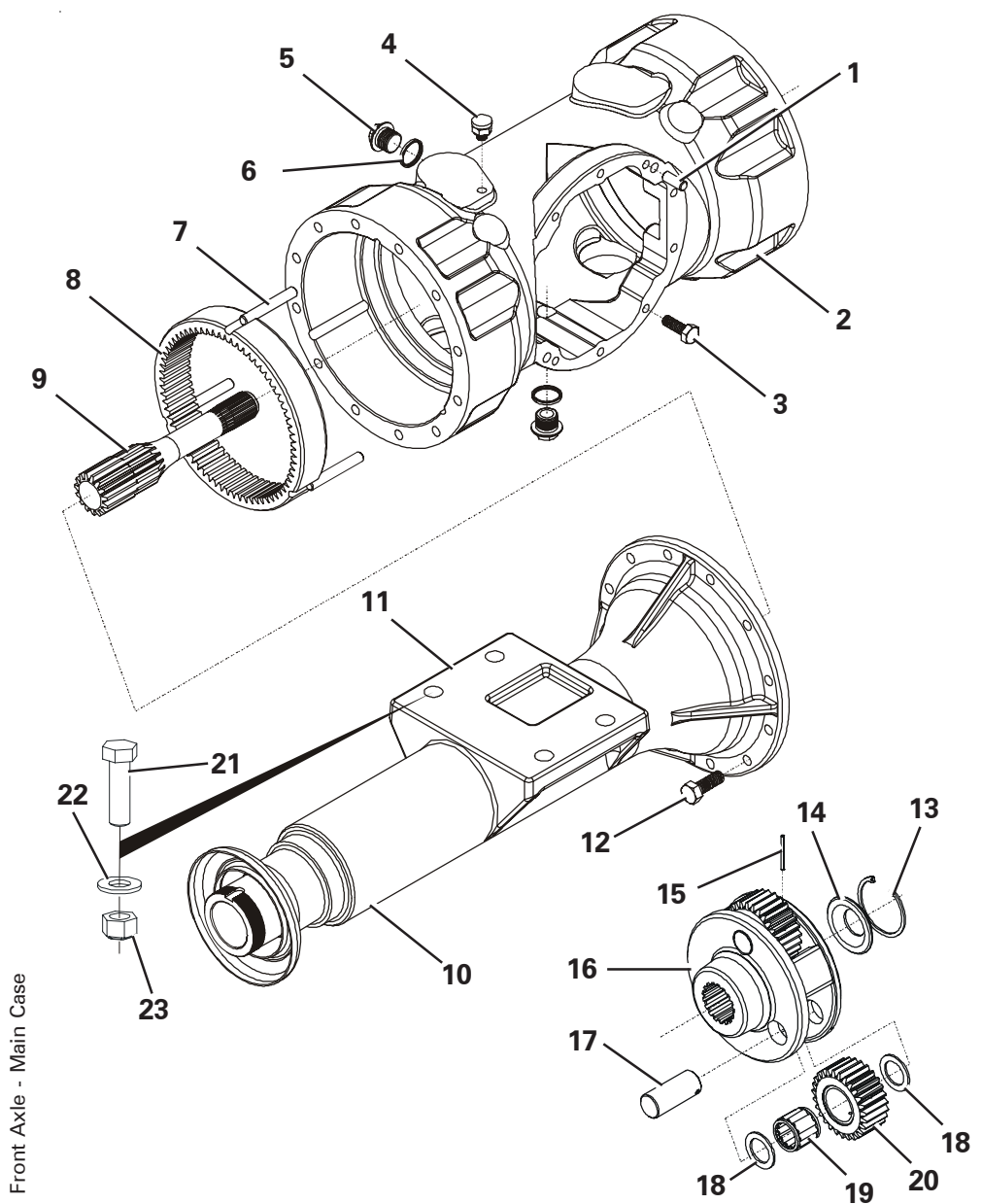
**EXHAUST SYSTEM**



Item	Part No.	Description	Qty	U/M
1*	T9775	NUT	9.0	EA
2*	T12972	SPRING WASHER	9.0	EA
3*	T102184	MANIFOLD PIPE	1.0	EA
4	T52685	EXHAUST GASKET	1.0	EA
5*	T18834	EXHAUST CLAMP	1.0	EA
6*	DELETED			
7	T101963	EXHAUST SILENCER	1.0	EA
8	T9345	HEAVY DUTY WASHER	6.0	EA
9	T100796	RUBBER BUFFER	3.0	EA
10	T12973	WASHER	3.0	EA

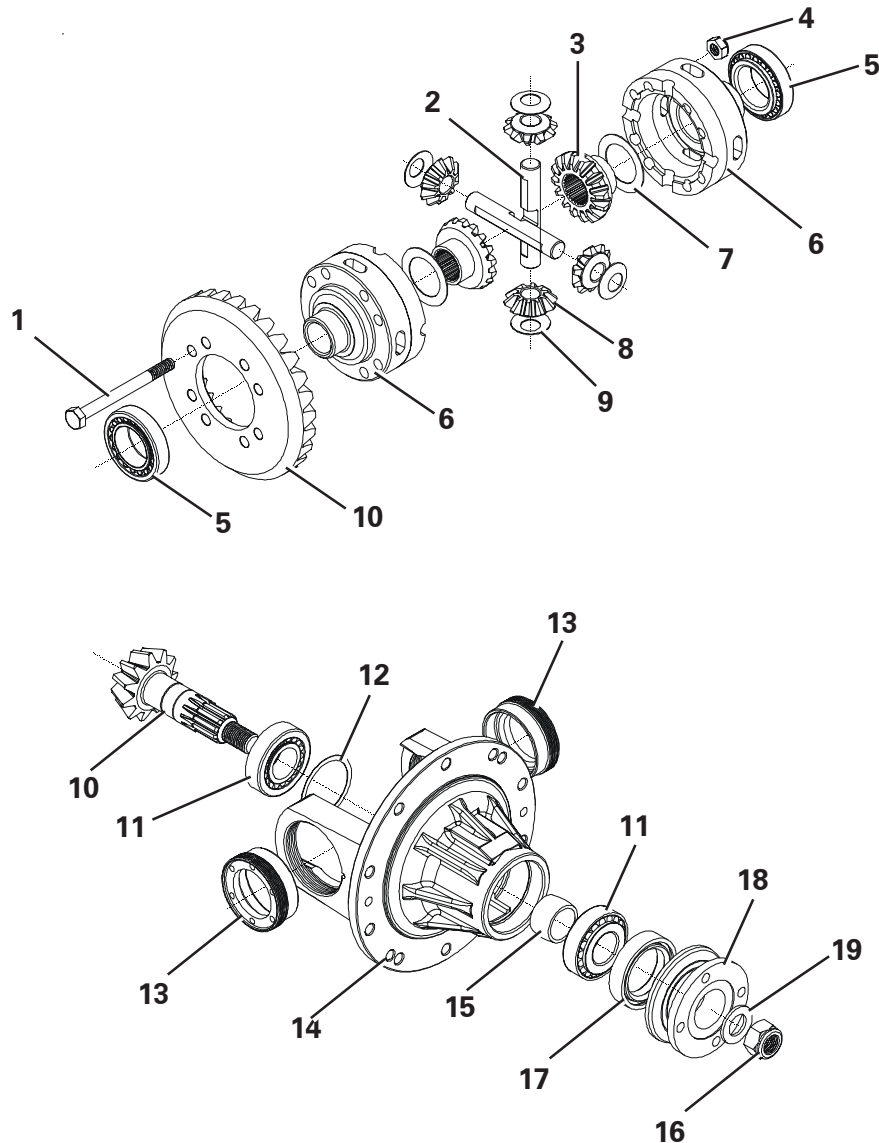
FRONT AXLE - MAIN CASE

Item	Part No.	Description	Qty	U/M
A	T100544	FRONT AXLE ASSEMBLY	1.0	EA
1	T3019	DOWEL PIN	2.0	EA
2	T52808	MAIN CASE	1.0	EA
3	T52599	FIXING BOLT	10.0	EA
4*	T53442	BREATHER	1.0	EA
5	T53074	PLUG	2.0	EA
6	T50423	BOND SEAL	2.0	EA
7	T52761	DOWEL PIN	6.0	EA
8	T52756	ANNULUS	2.0	EA
9	T52760	SUN GEAR	2.0	EA
10	T52759	HUB SEAL COVER	2.0	EA
11	T52809	AXLE ARM	2.0	EA
12	T52762	BOLT	24.0	EA
13	T2687	CIRCLIP	2.0	EA
14	T50365	SPACER AXLE SHAFT	2.0	EA
15	T2880	SPRING DOWEL	6.0	EA
16	T52734	PLANET CARRIER	2.0	EA
17	T52736	PLANET PIN	6.0	EA
18	T50367	THRUST WASHER	12.0	EA
19	T52737	NEEDLE BEARING	6.0	EA
20	T52735	PLANET GEAR	6.0	EA
21	T11315	BOLT	8.0	EA
22	T100867	PLAIN WASHER	8.0	EA
23	T14910	NUT	8.0	EA



Front Axle - Main Case

**FRONT AXLE - DIFF. ASSEMBLY**

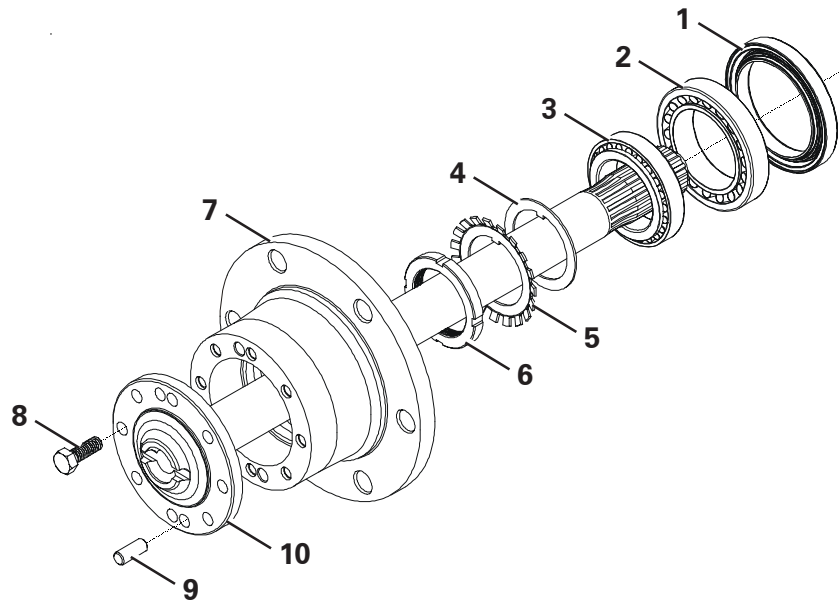


Item	Part No.	Description	Qty	U/M
1	T2886	BOLT	8.0	EA
2	T52733	DIFF SPIDER (HALF)	2.0	EA
3	T50298	DIFF. WHEEL	2.0	EA
4	T2991	NUT	8.0	EA
5	T52782	BEARING	2.0	EA
6	T2890	DIFF CASE	1.0	EA
7	T2888	THRUST WASHER	2.0	EA
8	T50299	DIFF. PINION	4.0	EA
9	T3027	THRUST WASHER	4.0	EA
10	T3036	BEVEL WHEEL & PINION	1.0	EA
11	T2893	PINION BEARING	2.0	EA
12	T50302	SHIM 0.25MM	A/R	EA
	T50303	SHIM 0.30MM	A/R	EA
	T50304	SHIM 0.40MM	A/R	EA
13	T52781	BEARING ADJUSTER NUT	2.0	EA
14	T52810	INPUT PINION CARTRIDGE	1.0	EA
15	T2892	SPACER	1.0	EA
16	T3012	NUT	1.0	EA
17	T2891	OILSEAL	2.0	EA
18	T52811	INPUT DRIVE FLANGE ASSY	1.0	EA
19	T3013	WASHER	1.0	EA

Front Axle - Diff. Assembly

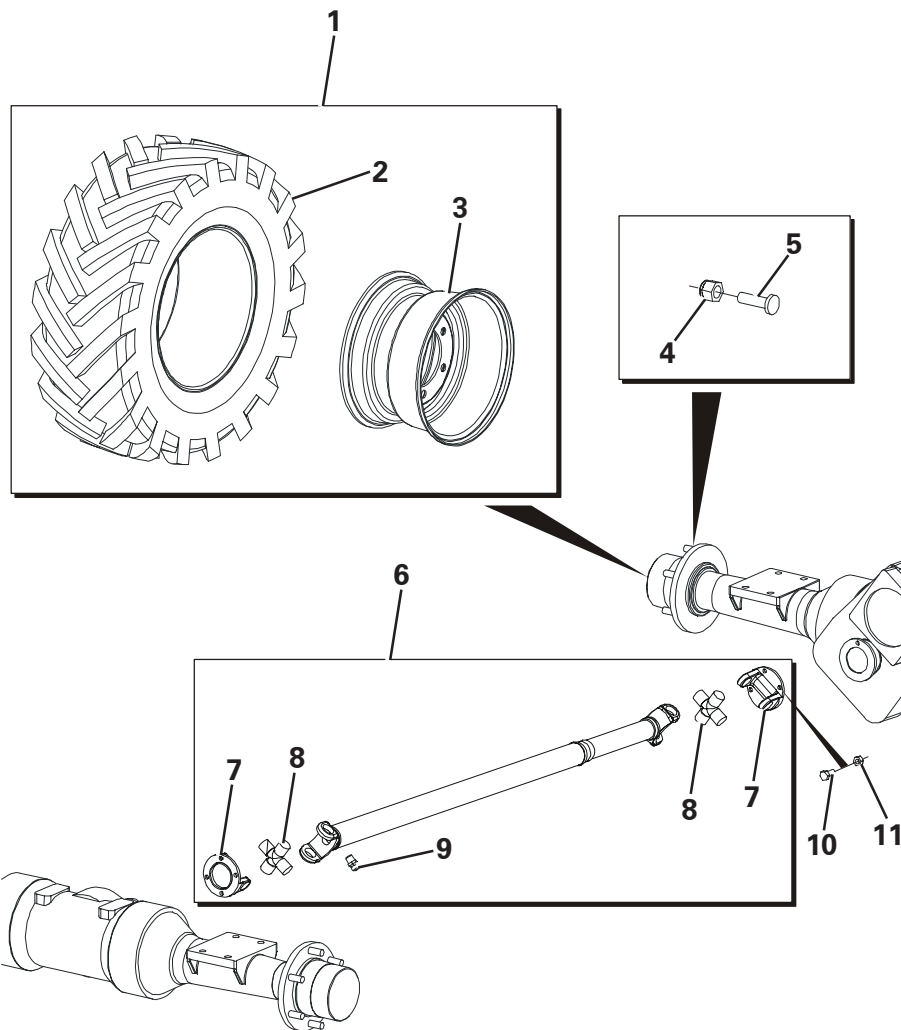
**FRONT AXLE - HUB & ARM**

Item	Part No.	Description	Qty	U/M
1	T52745	OIL SEAL	2.0	EA
2	T52741	BEARING	2.0	EA
3	T52740	BEARING	2.0	EA
4	T52742	SPACER	2.0	EA
5	T52743	LOCKWASHER	2.0	EA
6	T52748	LOCKNUT	2.0	EA
7	T52738	HUB	2.0	EA
8	T52746	BOLT	16.0	EA
9	T52744	DOWEL	4.0	EA
10	T52755	AXLE SHAFT	2.0	EA



**PROPSHAFT & WHEEL ASSEMBLY**

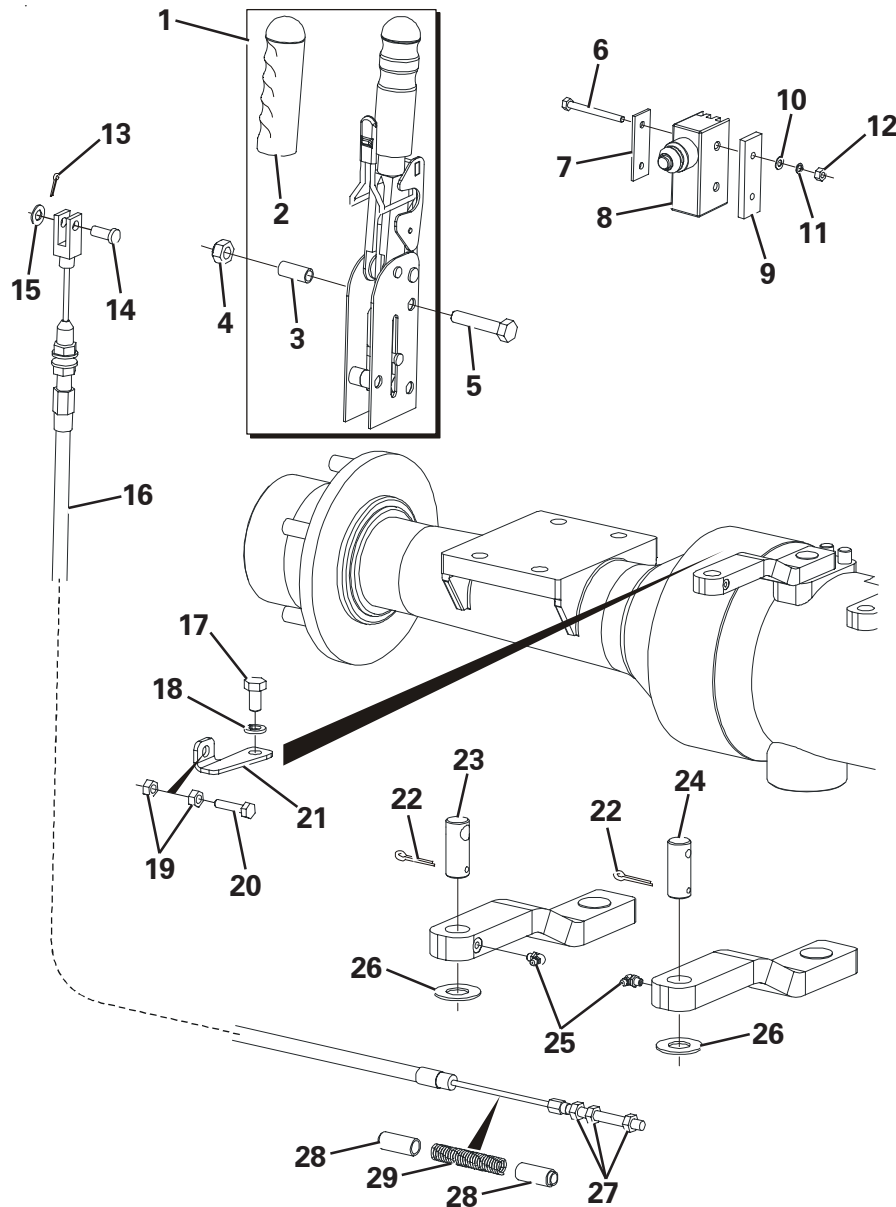
Item	Part No.	Description	Qty	U/M
1	T100999	WHEEL ASSY	4.0	EA
2	T100998	TYRE	1.0	EA
3	T100616	WHEEL RIM	1.0	EA
4	T52747	WHEEL NUT	24.0	EA
5	T52739	WHEEL STUD	24.0	EA
6	T100642	PROPSHAFT	1.0	EA
7	T52813	FLANGE	2.0	EA
8	T52812	UNIVERSAL JOINT	2.0	EA
9	T13454	GREASE NIPPLE	3.0	EA
10	T7628	BOLT	8.0	EA
11	T7631	PHILIDAS NUT	8.0	EA



Propshaft & Wheel Assembly - Hydrostatic - Tier 2

## HANDBRAKE ASSEMBLY

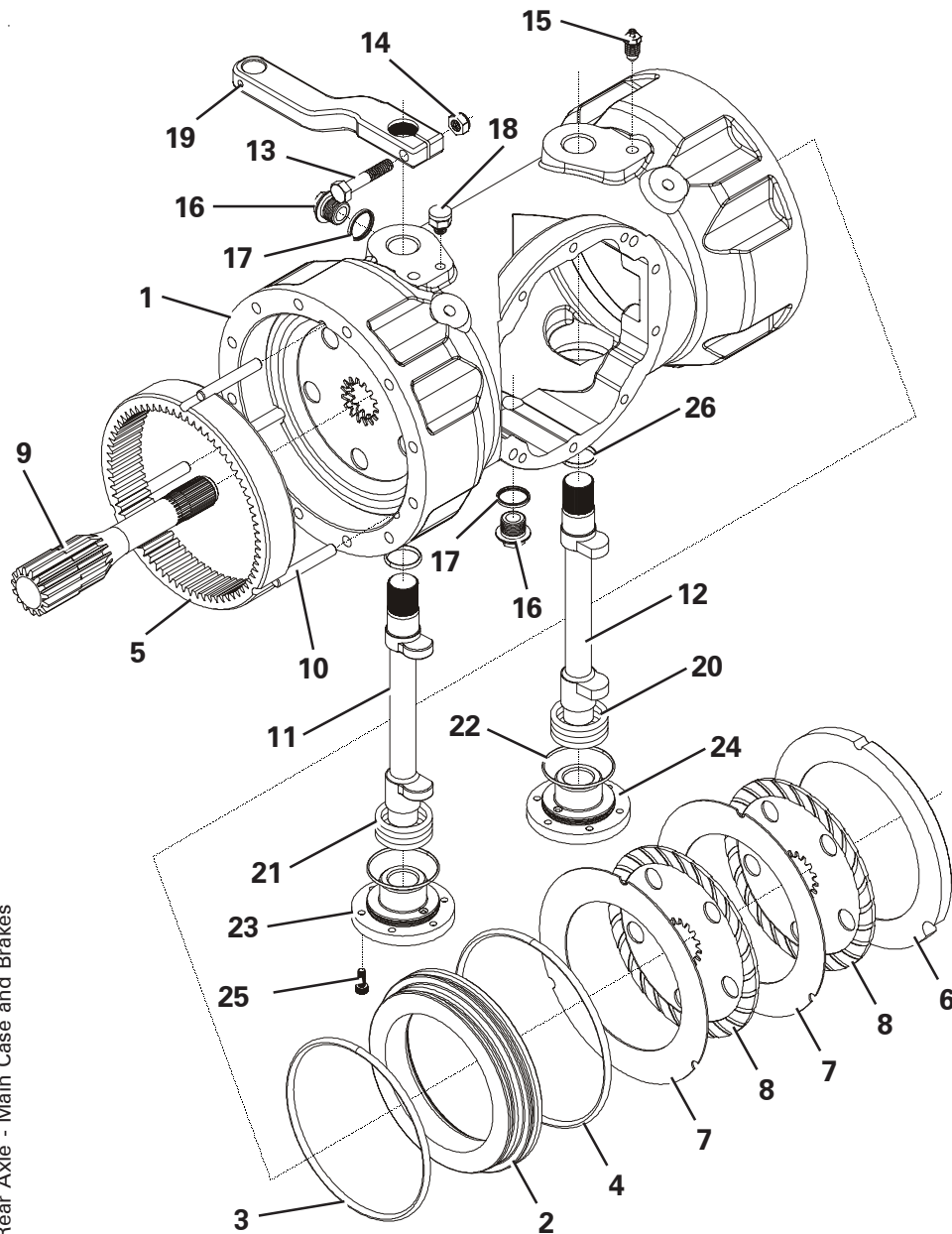
Item	Part No.	Description	Qty	U/M
1	T100893	OVERCENTRE HANDBRAKE	1.0	EA
2	T52947	GRIP	1.0	EA
3	T10869	SPACER	3.0	EA
4	T13064	PHILIDAS NUT	3.0	EA
5	T16501	BOLT	3.0	EA
6	T13321	SET SCREW	2.0	EA
7	T13289	MICRO SWITCH BACKING PLATE	1.0	EA
8	T100912	MICRO SWITCH	1.0	EA
9	T101186	MICRO SWITCH SPACER	1.0	EA
10	T11440	WASHER	2.0	EA
11	T11439	SPRING WASHER	2.0	EA
12	T11447	NUT	2.0	EA
13	T6702	SPLIT PIN	1.0	EA
14	T14101	CLEVIS PIN	1.0	EA
15	T12973	WASHER	1.0	EA
16	T100957	BRAKE CABLE	1.0	EA
17	T11673	SET SCREW	1.0	EA
18	T12972	SPRING WASHER	1.0	EA
19	T10431	NUT	2.0	EA
20	T11433	SET SCREW	1.0	EA
21	T100905	BRAKE LEVER STOP BRKT	1.0	EA
22	T6751	SPLIT PIN	2.0	EA
23	T12210	HANDBRAKE CABLE GUIDE	1.0	EA
24	T12211	HANDBRAKE CABLE STOP	1.0	EA
25	T16587	GREASE NIPPLE	2.0	EA
26	T6766	WASHER	2.0	EA
27	T6719	NUT	3.0	EA
28*	T100909	SPRING SUPPORT	2.0	EA
29*	T102310	GALVANISED HANDBRAKE SPRING	1.0	EA



Handbrake Assembly - Hydrostatic - Tier 2

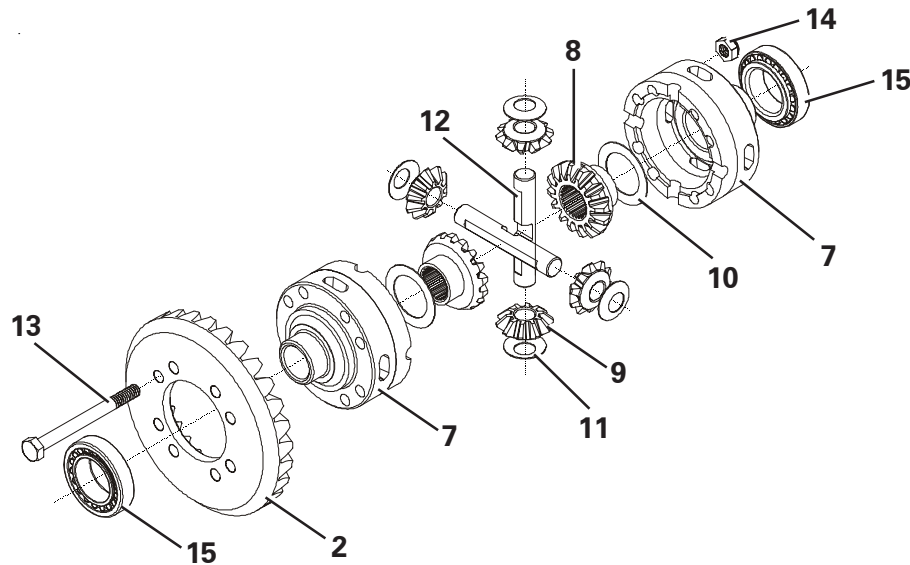
**REAR AXLE - MAIN CASE**

Item	Part No.	Description	Qty	U/M
A	T100641	REAR AXLE & TRANS. BOX ASSY.	1.0	EA
1	T52749	MAIN CASE	1.0	EA
2	T2872	BRAKE PISTON	2.0	EA
3*	T53439	'O' RING	2.0	EA
4*	T53440	'O' RING	2.0	EA
5	T52756	ANNULUS	2.0	EA
6	T53200	SPACER PLATE	2.0	EA
7	T53197	BRAKE PLATE	4.0	EA
8	T53198	BRAKE DISC	4.0	EA
9	T52760	SUN GEAR	2.0	EA
10	T52761	DOWEL PIN	6.0	EA
11	T52763	BRAKE LEVER LH	1.0	EA
12	T52764	BRAKE LEVER RH	1.0	EA
13	T52767	BOLT	2.0	EA
14	T2991	NUT	2.0	EA
15	T3038	BLEED NIPPLE	1.0	EA
16	T53074	PLUG	2.0	EA
17	T50423	BOND SEAL	2.0	EA
18*	T53442	BREATHER	1.0	EA
19	T52751	BRAKE OPERATING LEVER	2.0	EA
20	T2849	BRAKE RETURN SPRING	1.0	EA
21	T2861	BRAKE LEVER RETURN SPRING	1.0	EA
22	T52790	'O' RING	2.0	EA
23	T52752	HANDBRAKE LEVER COVER LH	1.0	EA
24	T52753	HANDBRAKE LEVER COVER RH	1.0	EA
25	T52754	CAP HEADED SCREW	12.0	EA
26	T52791	'O' RING	2.0	EA

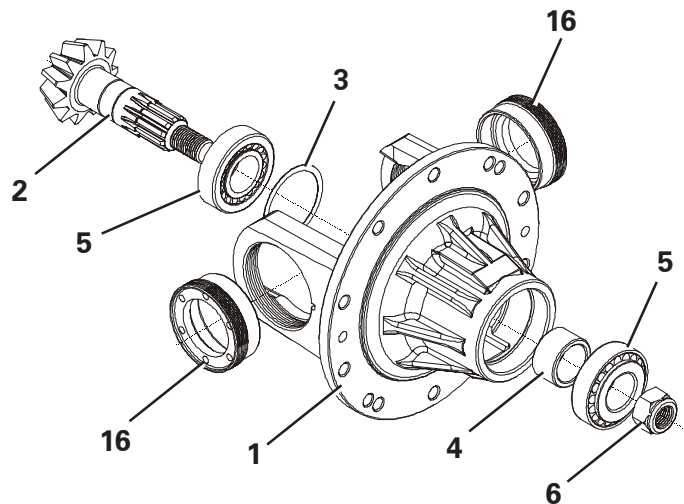


Rear Axle - Main Case and Brakes

**REAR AXLE - DIFF ASSEMBLY**



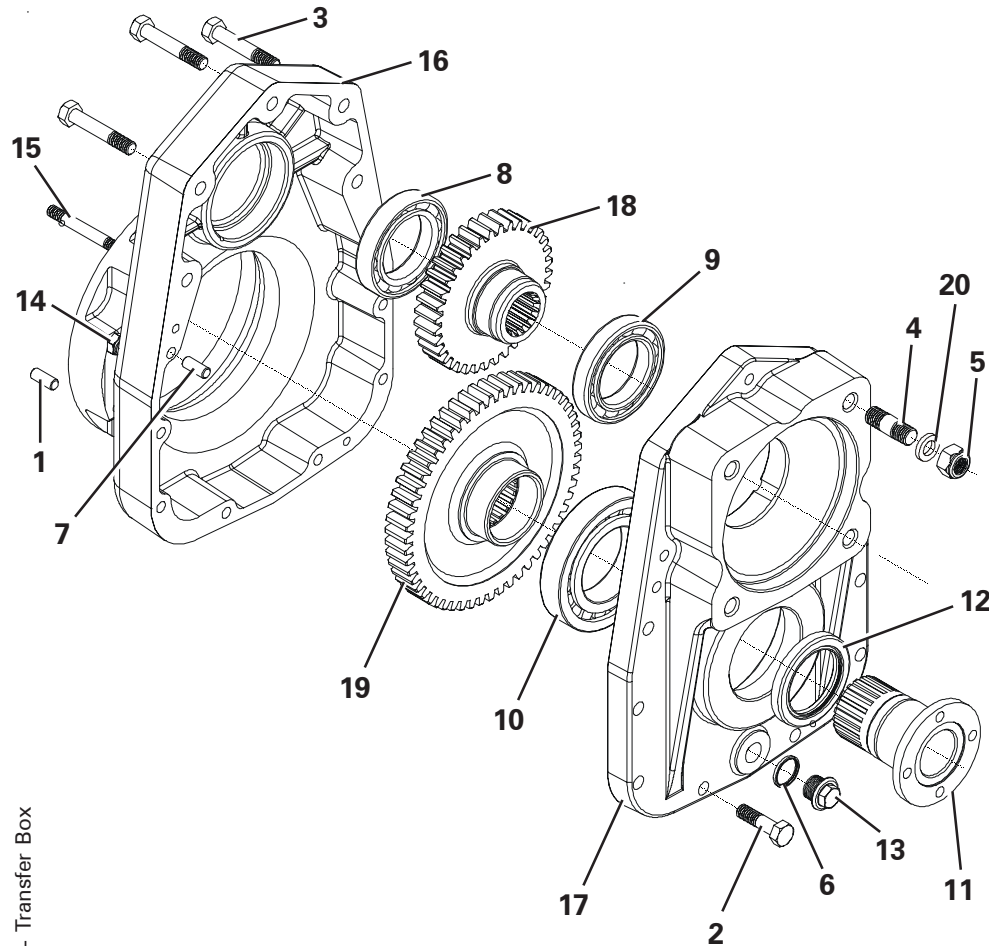
Item	Part No.	Description	Qty	U/M
1	T52727	INPUT PINION CARTRIDGE	1.0	EA
2	T52815	BEVEL WHEEL/PINION	1.0	EA
3	T50302	SHIM 0.25MM	A/R	EA
	T50303	SHIM 0.30MM	A/R	EA
	T50304	SHIM 0.40MM	A/R	EA
4	T52730	SPACER	1.0	EA
5	T2893	PINION BEARING	2.0	EA
6	T3012	NUT FLANGE	1.0	EA
7	T2890	DIFF CASE	1.0	EA
8	T50298	DIFF.WHEEL	2.0	EA
9	T50299	DIFF.PINION	4.0	EA
10	T2888	THRUST WASHER	2.0	EA
11	T3027	THRUST WASHER	4.0	EA
12	T52733	DIFF SPIDER	2.0	EA
13	T2886	BOLT	8.0	EA
14	T2991	NUT	8.0	EA
15	T3716	TAPER BEARING	2.0	EA
16	T52781	BEARING ADJUSTER NUT	2.0	EA



Rear Axle - Diff Assembly



**REAR AXLE - TRANSFER BOX**



Item	Part No.	Description	Qty	U/M
1	T3019	DOWEL PIN	2.0	EA
2	T52768	SCREW	10.0	EA
3	T52769	BOLT	3.0	EA
4	T52770	STUD	4.0	EA
5	T14910	PHILIDAS NUT	4.0	EA
6	T50423	BOND SEAL	1.0	EA
7	T2731	DOWEL	2.0	EA
8	T52771	BEARING	1.0	EA
9	T52772	BEARING	1.0	EA
10	T52773	ROLLER BEARING	1.0	EA
11	T52774	DRIVE FLANGE	1.0	EA
12	T52775	OIL SEAL	1.0	EA
13	T4248	PLUG	1.0	EA
14	T2991	NUT	10.0	EA
15	T52776	STUD	10.0	EA
16	T52777	TRANSFER CASE LH	1.0	EA
17	T52778	TRANSFER CASE RH	1.0	EA
18	T52779	INPUT PINION 36T	1.0	EA
19	T52780	INPUT WHEEL 55T	1.0	EA
20	T6765	THIN WASHER	4.0	EA

**OPTIONAL EXTRAS**

Part No.	Description	Qty	U/M
T100133	ROTATING BEACON	1.0	EA
T100308	XENON BEACON	1.0	EA
KIT 232	ACCESSORIES - REVERSE ALARM	1.0	EA
KIT 242	ACCESSORIES - ELECTRONIC SHUTDOWN	1.0	EA
T100743	ANTI SLIP PADS (MUDGUARDS)	4.0	EA
T100939	ACCESSORIES - ROPS FRAME KIT	1.0	EA
T100940	ACCESSORIES - HINGED ROPS FRAME KIT	1.0	EA
KIT 252	TRANSFER SET - 3.5 TONNE	1.0	EA

**MODIFIED AND ADDITIONAL PARTS**

Old Part No.	Qty	Description	Page	Item	Prefix	New Part No.
T9775	2.0	NUT	39	1	-	DELETED
T12972	2.0	SPRING WASHER	39	2	-	DELETED
T100603	1.0	MANIFOLD PIPE	39	3	-	T102184
TT8834	1.0	EXHAUST CLAMP	39	5	-	DELETED
T100602	1.0	EXHAUST FLEXIBLE	39	6	-	DELETED
T100482	2.0	SLEW RAM	27	1	2	T102048
T52537	1.0	ROD	27	2	2	T53383
T50492	1.0	HEAD BUSH	27	3	2	T53385
T50491	1.0	PISTON	27	4	2	T53386
T50489	2.0	BEARING	27	5	2	T53379
T5020	2.0	GREASE NIPPLE	27	7	2	T53406
T50490	1.0	SEAL KIT	27	8	2	T53384
T50487	1.0	TENSION PIN	27	-	2	NOW IN T53384
T100654	1.0	STEER RAM	26	1	2	T102137
T53058	1.0	ROD ASSY	26	2	2	T53378
T52784	1.0	HEADBUSH	26	3	2	T53381
T50433	1.0	PISTON	26	4	2	T53382
T2162	2.0	SPHERICAL BEARING	26	5	2	T53379
T53059	1.0	SEAL KIT	26	6	2	T53380
T50487	1.0	TENSION PIN	26	-	2	NOW IN T53380
T5020	2.0	GREASE NIPPLE	26	7	2	T53406
T100343	1.0	TIPPING RAM	25	1	2	T102136
T52786	1.0	ROD ASSY	25	2	2	T53387
T52787	1.0	HEADBUSH	25	3	2	T53389
T52721	1.0	PISTON	25	4	2	T53390
T52789	1.0	SEAL KIT	25	5	2	T53388
T52788	1.0	SPRING TENSION PIN	25	-	2	NOW IN T53388
T13454	3.0	GREASE NIPPLE	25	6	2	T20821
T101876	1.0	ENGINE	31	A	3	T102296
T100911	1.0	GAITER	5	5	4	T102309
T11768	2.0	SPRING SUPPORT	44	28	4	T100909
T9722	1.0	GALVANISED HANDBRAKE SPRING	44	29	4	T102310

**MODIFIED AND ADDITIONAL PARTS TO AXLES - T100544**

Old Part No.	Qty	Description	Page	Item	Serial No.	New Part No.
T52750	1.0	BREATHER	40	4	-	T53442

**MODIFIED AND ADDITIONAL PARTS TO AXLES - T100641**

Old Part No.	Qty	Description	Page	Item	Serial No.	New Part No.
T2871	2.0	'O' RING	45	3	-	T53439
T2870	2.0	'O' RING	45	4	-	T53440
T52750	1.0	BREATHER	45	18	-	T53442

**MODIFIED AND ADDITIONAL PARTS**

Old Part No.	Qty	Description	Page	Item	Prefix	New Part No.
--------------	-----	-------------	------	------	--------	--------------

**MODIFIED AND ADDITIONAL PARTS**

Old Part No.	Qty	Description	Page	Item	Prefix	New Part No.
--------------	-----	-------------	------	------	--------	--------------

**MODIFIED AND ADDITIONAL PARTS**

Old Part No.	Qty	Description	Page	Item	Prefix	New Part No.
--------------	-----	-------------	------	------	--------	--------------

## Service and Warranty

Thwaites give a warranty which, subject to certain conditions, gives an assurance as to the quality of their product.

### The Thwaites warranty states:-

In the manufacture of Thwaites machines we endeavour to ensure that only the best workmanship and materials are used. Consequently, provided:-

1. The machine has been properly used in accordance with our recommendations and,
2. That no alterations have been made to the machine without prior written approval and,
3. That the machine has been maintained, serviced and lubricated in accordance with our recommendations and,
4. That Thwaites Warranty Certificate and/or New Machine Delivery Report has been completed and received by Thwaites within one month of delivery to the user.
5. That Thwaites receive a correctly completed Warranty Claim form within thirty days of the failure occurring.
6. **UK**  
That the alleged defective parts are returned to Thwaites within 6 weeks of date of failure.
7. **All other territories**  
That unless otherwise instructed the alleged defective parts are to be stored for inspection for a 6 month period from date of failure.

We will examine the alleged defective part and if we are reasonably satisfied that any defect is solely due to bad workmanship or materials, we will at our cost and at our option either repair any defective part or supply a replacement part in full discharge of all obligations upon us.

This warranty does not, however, extend to reconditioned or second-hand machines. For the avoidance of doubt, we will not entertain any other claims of a direct or consequential nature of whatsoever description and our responsibility is limited to the above.

The above warranty shall in no way detract from your statutory rights

#### **Warranty**

It is important to use only genuine Thwaites Limited spare parts and to adhere strictly to the conditions of operation and maintenance laid down by Thwaites Limited.

**Your warranty may be invalidated if you do not comply with the above recommendations.**